

October 2024.

Technical Bulletin: Tech003 - 2024.

Full Distribution.

TC 763886-5001S to TC 763886-5002S compressor housing orientation change instructions.

Dear Customer,

Turbochargers 763886-5001S and 763886-5002S only differ by compressor housing orientation. This technical bulletin is to explain how to change the compressor housing orientation angle enabling you to convert 763886-5001S to 763886-5002S. This means you only need to stock 1 part number, 763886-5001S, that can be adapted to suit both applications.

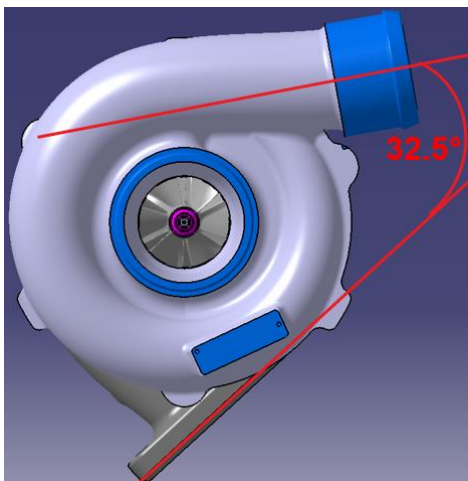
We suggest that a copy of these guidelines should be passed to every customer purchasing this turbocharger from you.

Please distribute this information to all in your company who may need it.

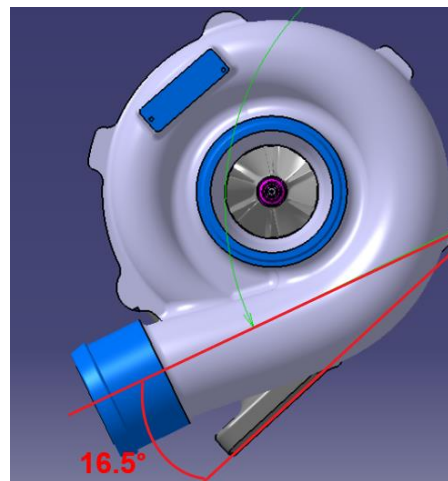
Best Regards,

IAM Technical support Specialist team.

Garrett – Advancing Motion

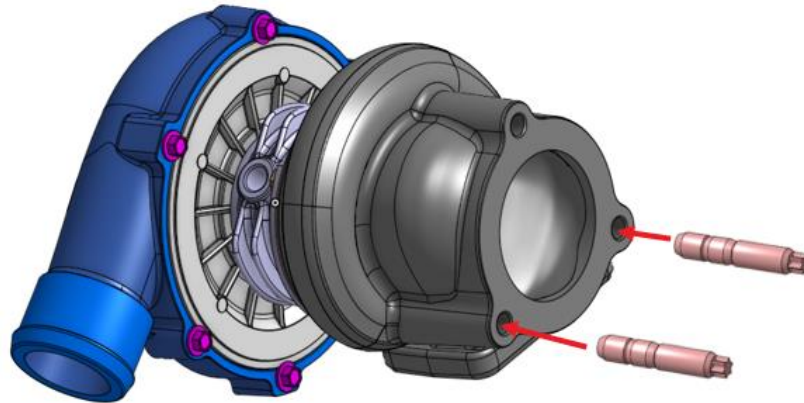


From TC 763886-5001S

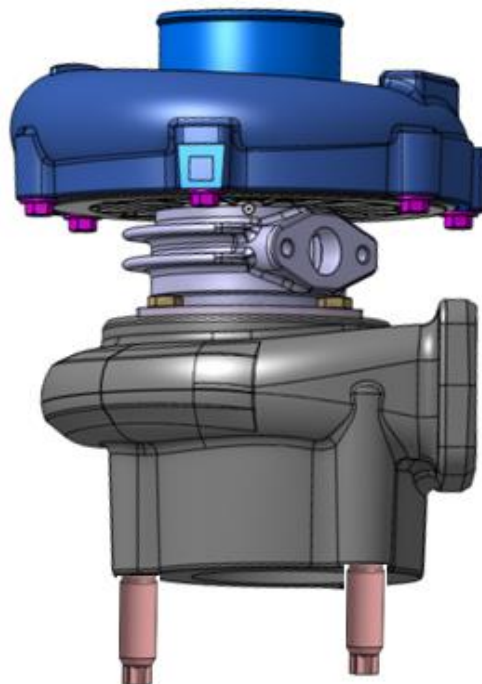


To TC 763886-5002S

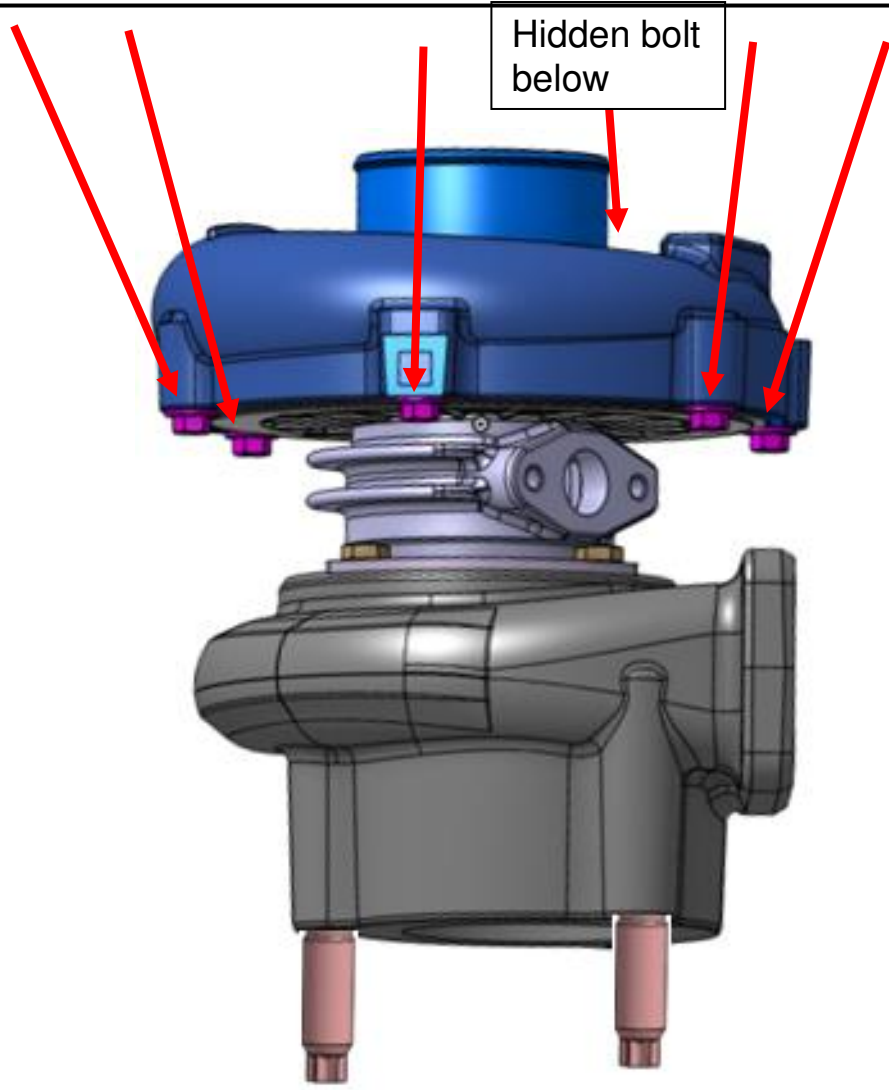
Step # 1:
Tighten 2 M10x1.5 x 50mm studs (or bolts) into the turbine housing outlet flange threaded holes.



Step # 2:
Place the turbocharger vertically into a bench vice, with the flat surface of the turbine housing outlet flange resting on the vice jaw top surface. Tighten the vice jaws on the 2 studs to secure turbocharger.



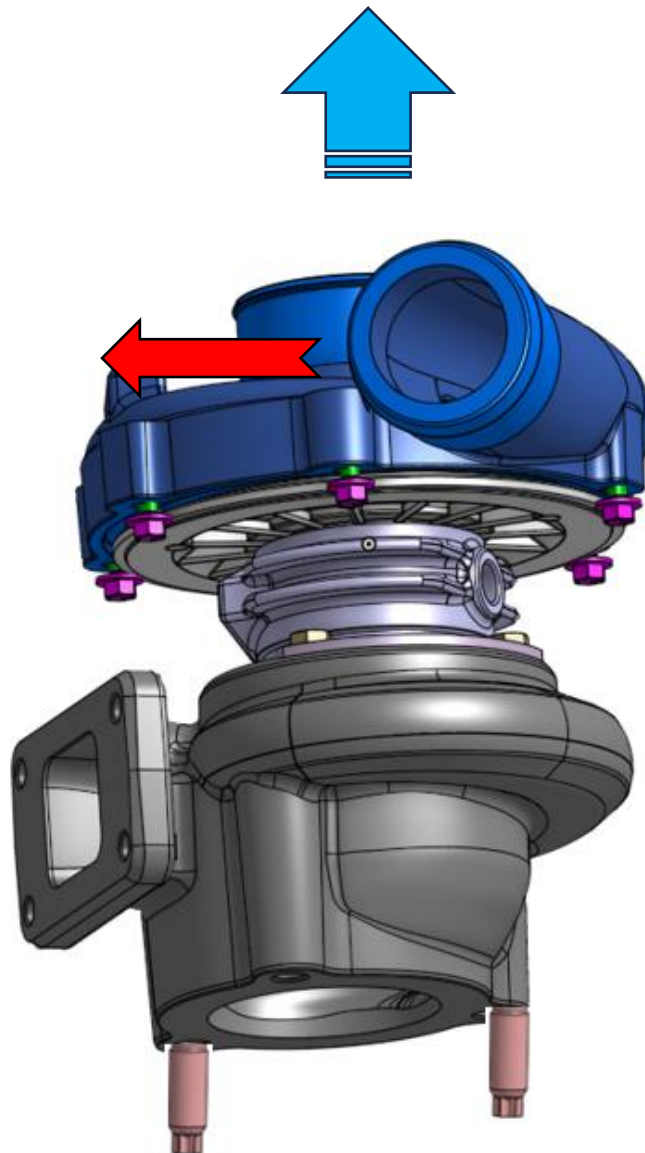
Step # 3:
Loosen the 6 right hand thread M5X0.8mm compressor housing fixing bolts to half their engagement length – approx 4mm



Step # 4 :

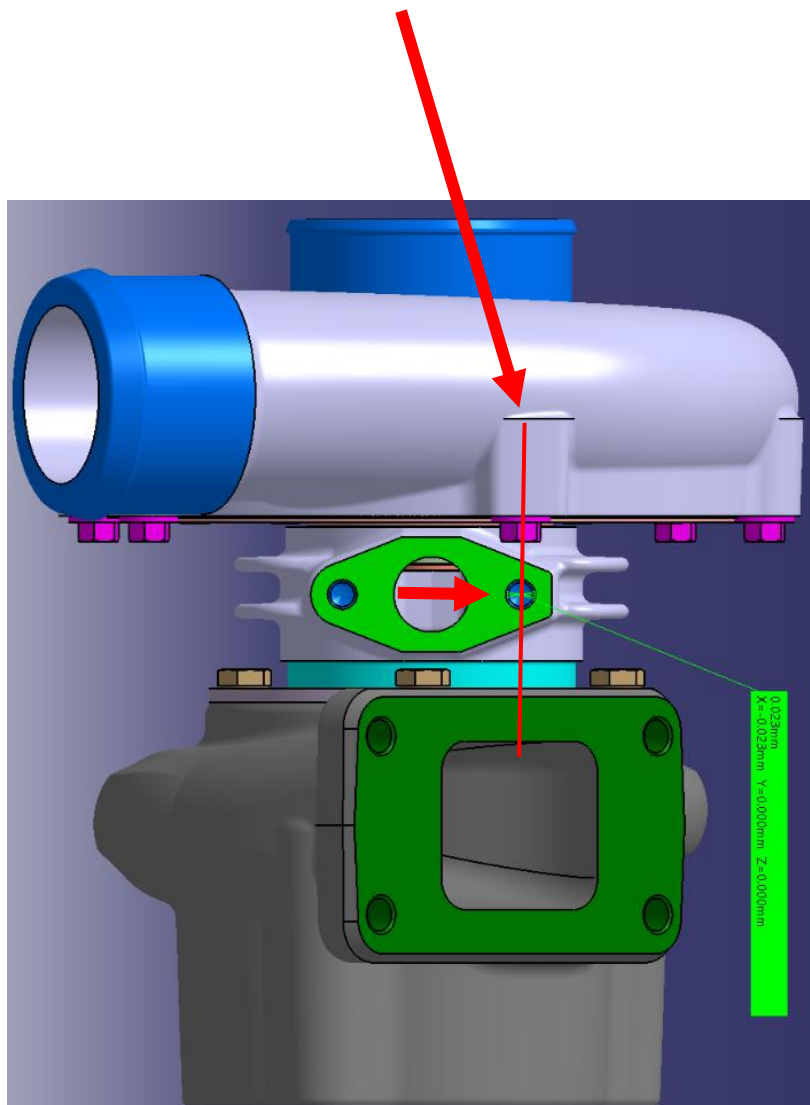
Once all 6 compressor housing fixing bolts are loosened, pull the compressor housing upwards & rotate clockwise to the required orientation.

Note that pulling the compressor housing upward while rotating will prevent damage to the O-ring located between the centre housing & compressor housing.



Step # 5:

To achieve the required orientation angle, please align the shown compressor housing fixing bolt with the center of the center housing oil outlet threaded hole. On this application this is a good enough guide to simplify the re-orientation operation.



Step # :6

Once the compressor housing is in the required position, hold it in place and re-tighten the 6 fixing bolts by hand and then with a torque wrench in a star pattern to 6.8 - 8.2 Nm

Hidden bolt
from below
view

