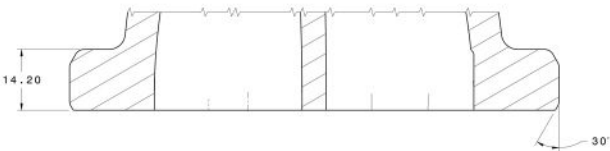
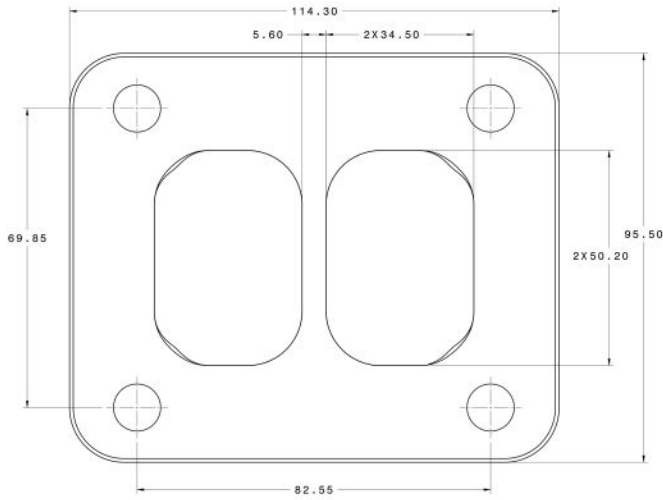
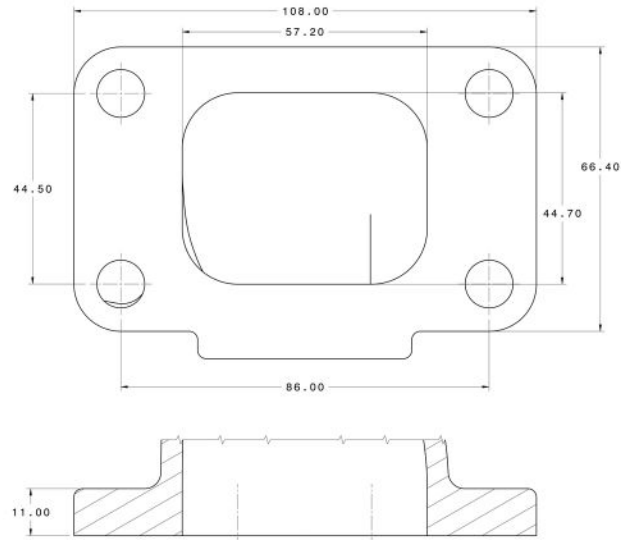


FLANGE DIAGRAM

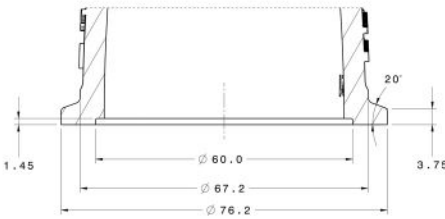
G30-660 G30-770 G30-900



TURBINE INLET
T4 BOLTED CONNECTIONS

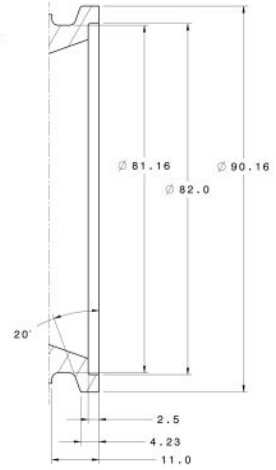


TURBINE INLET
T3 BOLTED CONNECTIONS

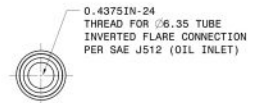


TURBINE INLET
V-BAND CONNECTIONS

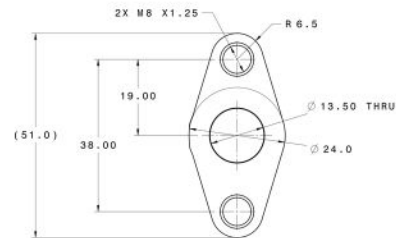
TURBINE OUTLET
V-BAND CONNECTIONS



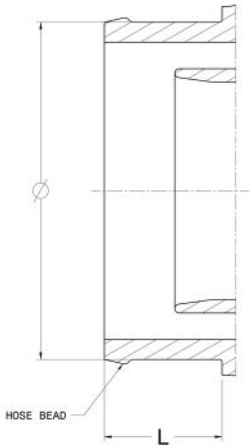
OIL INLET
-4AN FITTING CONNECTION



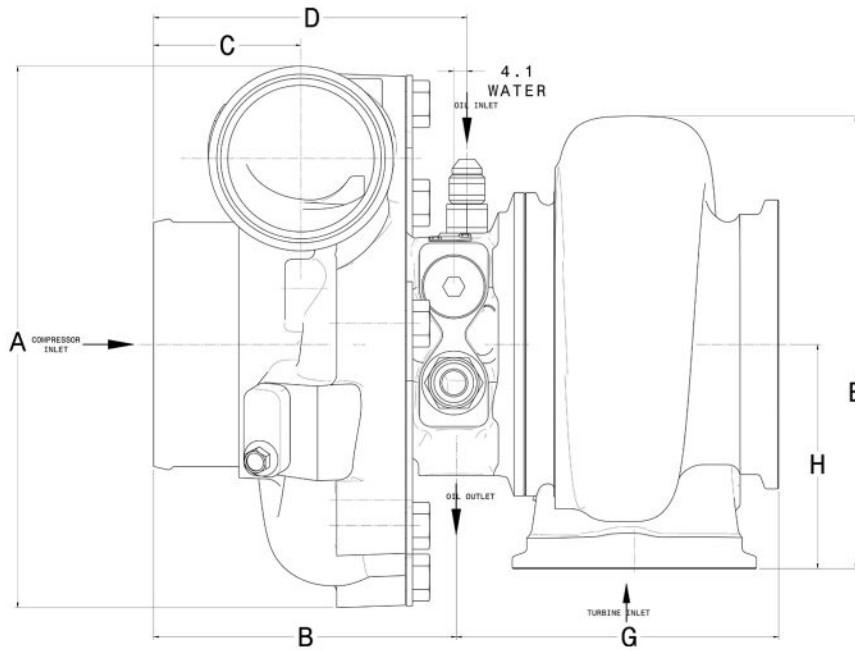
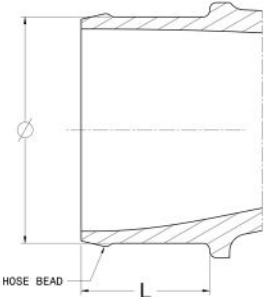
OIL OUTLET



COMPRESSOR INLET
HOSE CONNECTIONS
G3067 76.2 X 26.60
G3071/G3076 100.00 X 25.40



COMPRESSOR OUTLET
HOSE CONNECTIONS
G3087 51.15 X 29.05
G3071/G3076 50.80 X 29.00



TURBINE OUTLET

WATER
M14 X 1.50
-6AN FITTING CONNECTION

	COMPRESSOR		TURBINE										
	G30-660	G30-770 G30-900	A/R (INLET)	0.61 (VBAND)	0.83 (VBAND)	1.01 (VBAND)	1.21 (VBAND)	0.83 (T3)	1.01 (T3)	1.06 (T4)	1.01 (T4) WG	0.83 (VBAND) WG	1.01 (VBAND) WG
A	169.0	189.8	E	146.1	151.6	156.3	159.6	159.6	164.5	183.3	175.9	151.8	156.2
B	94.5	93.3	G	100.5	100.5	100.5	100.5	113.6	113.6	103.1	147.9	136.3	136.3
C	46.0	44.7	H	70.0	70.0	70.0	70.0	80.0	80.0	88.5	82.0	70	70.0
D	97.8	96.5											