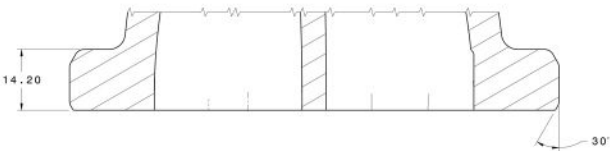
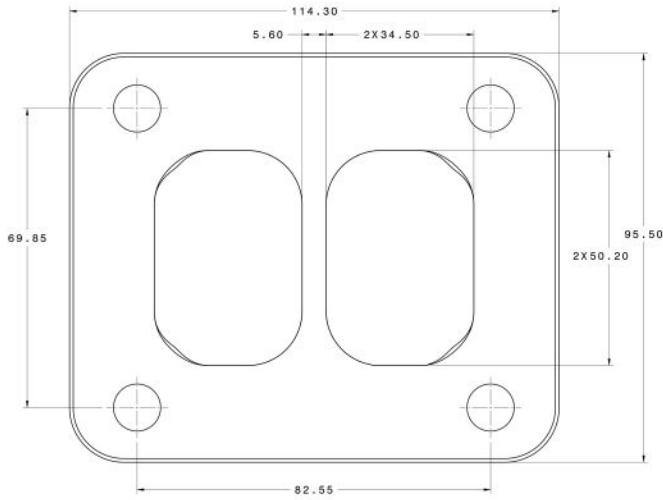
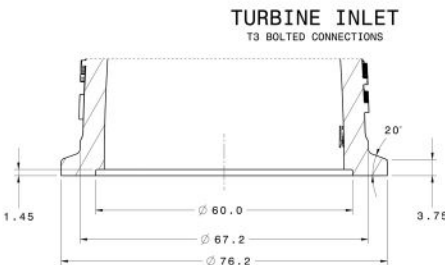
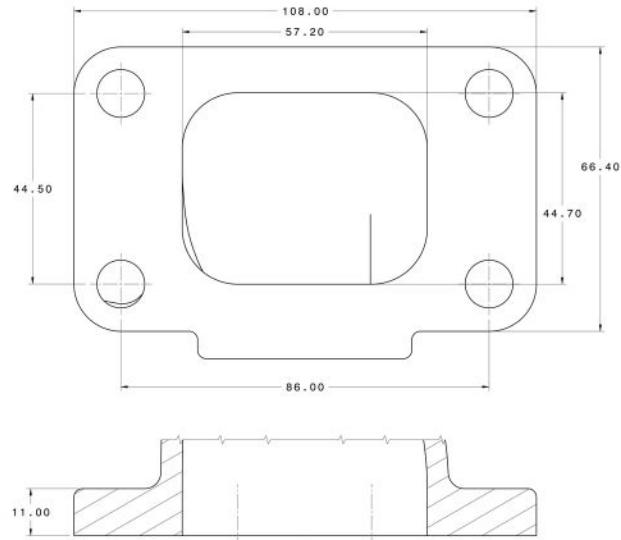


## FLANGE DIAGRAM

### G30-660 G30-770 G30-900



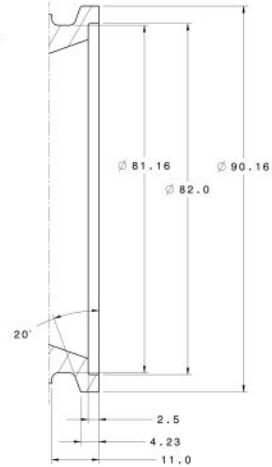
**TURBINE INLET**  
T4 BOLTED CONNECTIONS



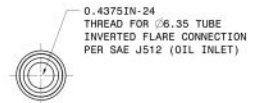
**TURBINE INLET**  
T3 BOLTED CONNECTIONS

**TURBINE INLET**  
V-BAND CONNECTIONS

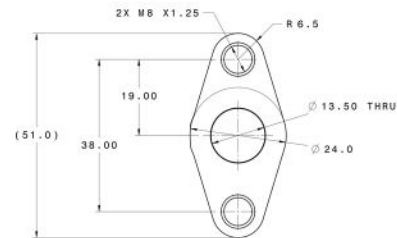
**TURBINE OUTLET**  
V-BAND CONNECTIONS



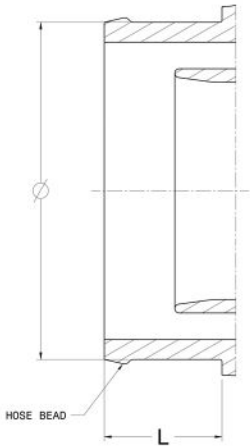
**OIL INLET**  
-4AN FITTING CONNECTION



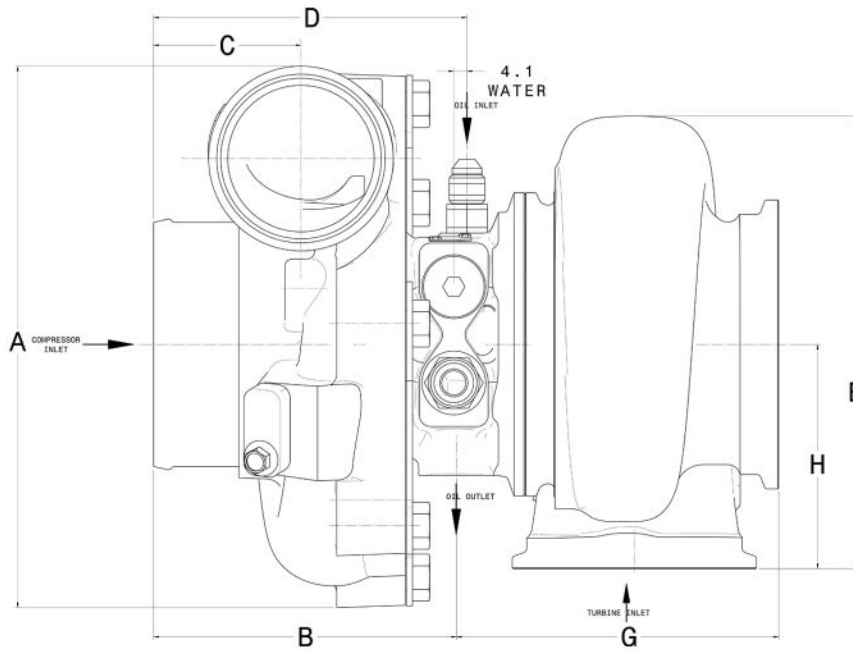
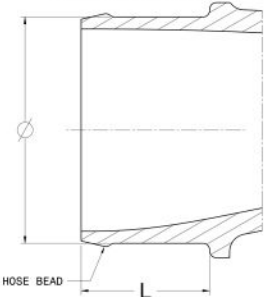
**OIL OUTLET**



**COMPRESSOR INLET**  
HOSE CONNECTIONS  
G3067 76.2 X 26.60  
G3071/G3076 100.00 X 25.40



**COMPRESSOR OUTLET**  
HOSE CONNECTIONS  
G3087 51.15 X 29.05  
G3071/G3076 50.80 X 29.00



**TURBINE OUTLET**

**WATER**  
M14 X 1.50  
-6AN FITTING CONNECTION

	COMPRESSOR		TURBINE										
	G30-660	G30-770 G30-900	A/R (INLET)	0.61 (VBAND)	0.83 (VBAND)	1.01 (VBAND)	1.21 (VBAND)	0.83 (T3)	1.01 (T3)	1.06 (T4)	1.01 (T4) WG	0.83 (VBAND) WG	1.01 (VBAND) WG
A	169.0	189.8	E	146.1	151.6	156.3	159.6	159.6	164.5	183.3	175.9	151.8	156.2
B	94.5	93.3	G	100.5	100.5	100.5	100.5	113.6	113.6	103.1	147.9	136.3	136.3
C	46.0	44.7	H	70.0	70.0	70.0	70.0	80.0	80.0	88.5	82.0	70	70.0
D	97.8	96.5											