

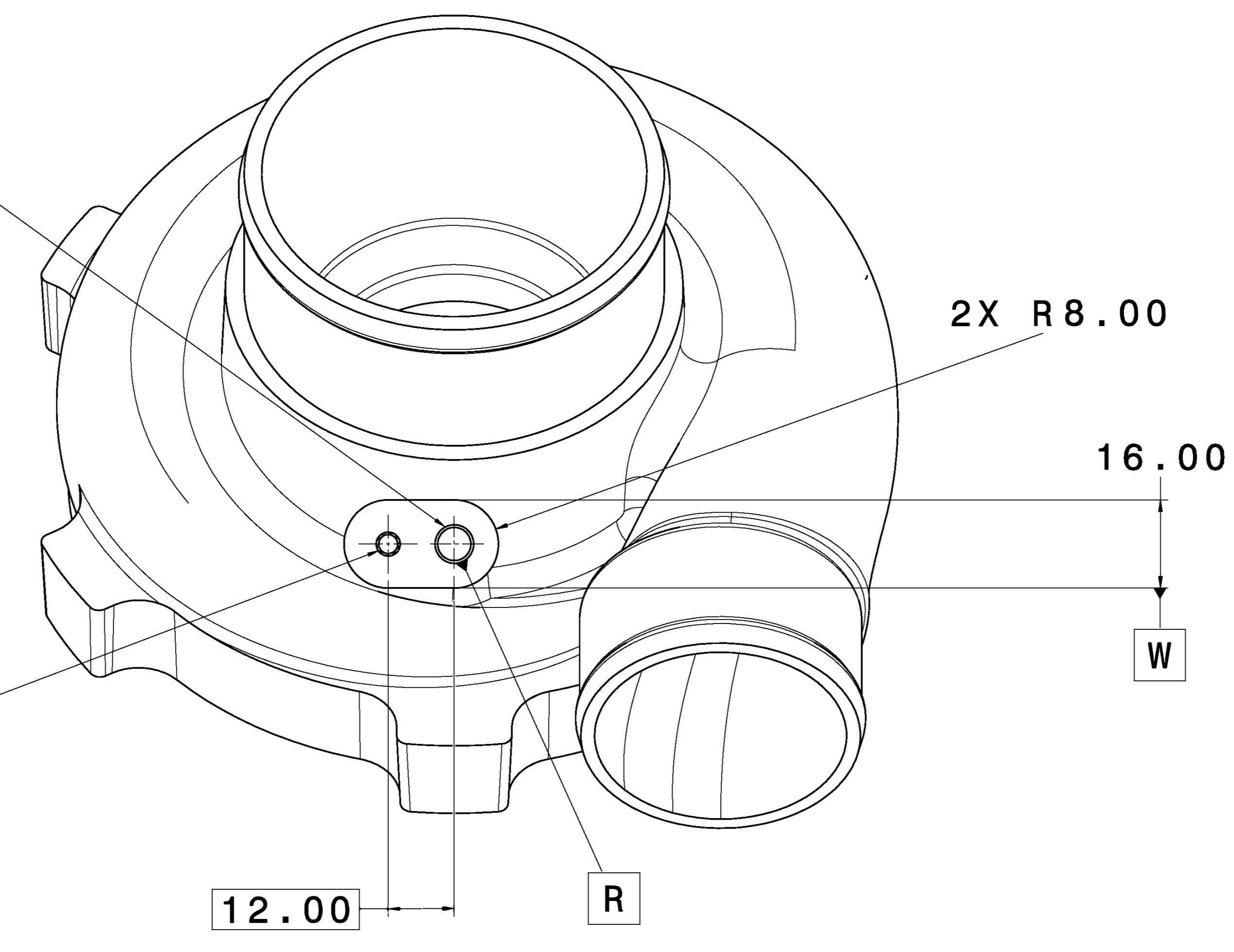
SEE SHEET 2 FOR TABULATION

CAD DRAWING  
CHANGES TO THIS DRAWING MUST BE  
INCORPORATED VIA THE CAD SYSTEM

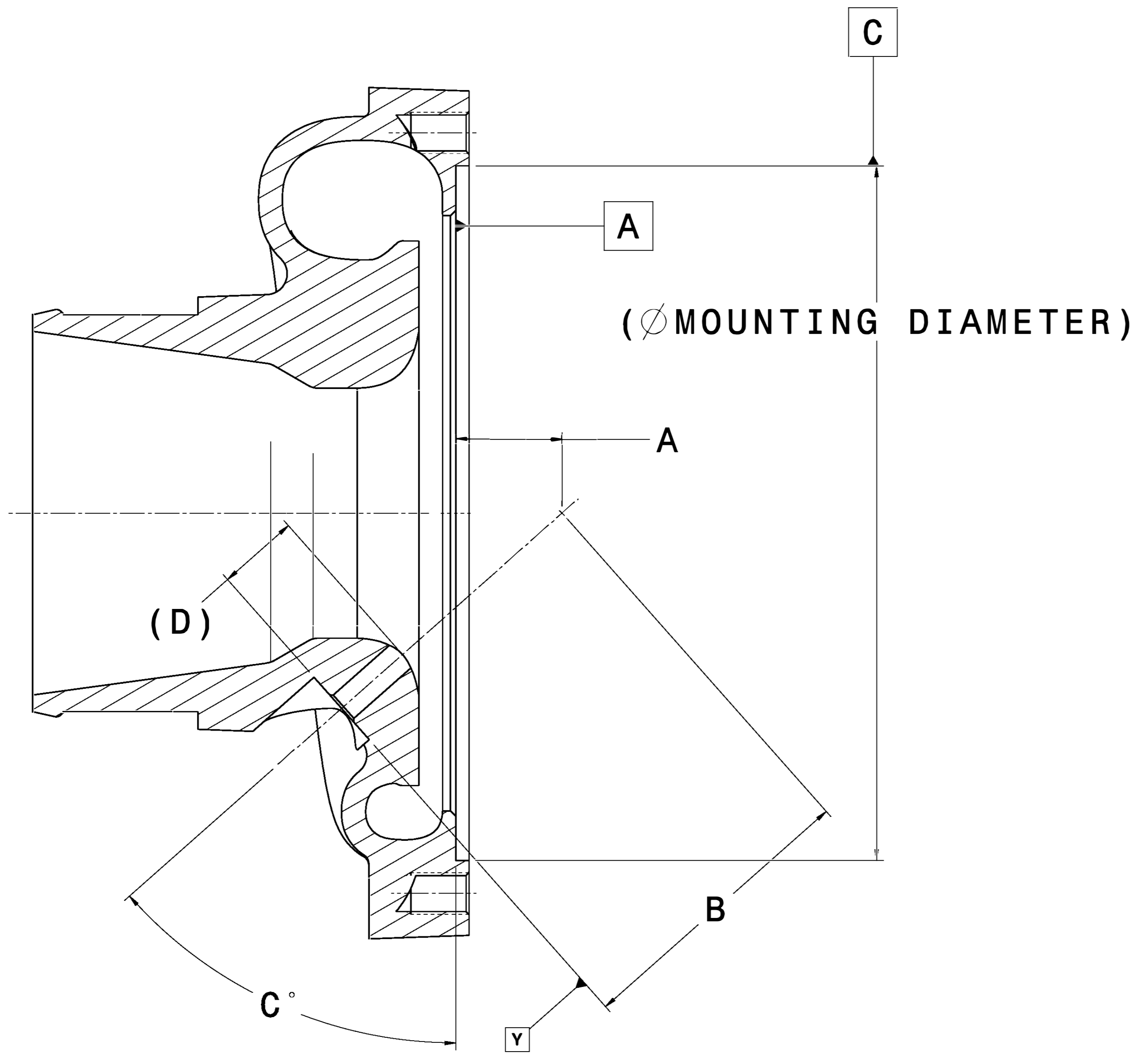
ZONE	REV	DATE	DESCRIPTION	MM/DD/YY	DES	CHK	APP
	00000718		FILE RELEASED	06/25/07			
TAB	A	00706265	TABULATED DIM T, G & SCREW LENGTH UNDER HEAD	10/15/07	LLG	LLG	DMF

M6 X 0.50-6H  
 $\oplus$   $\ominus$  0.25 M Y A C M

$\varnothing$ 3.44 MAX  
 F  
 $\sqrt{R}$  4.30:0.30 X 100:20  
 M4 X 0.70  
 G MIN  
 $\oplus$   $\ominus$  0.25 M Y R W  
 MINOR DIA

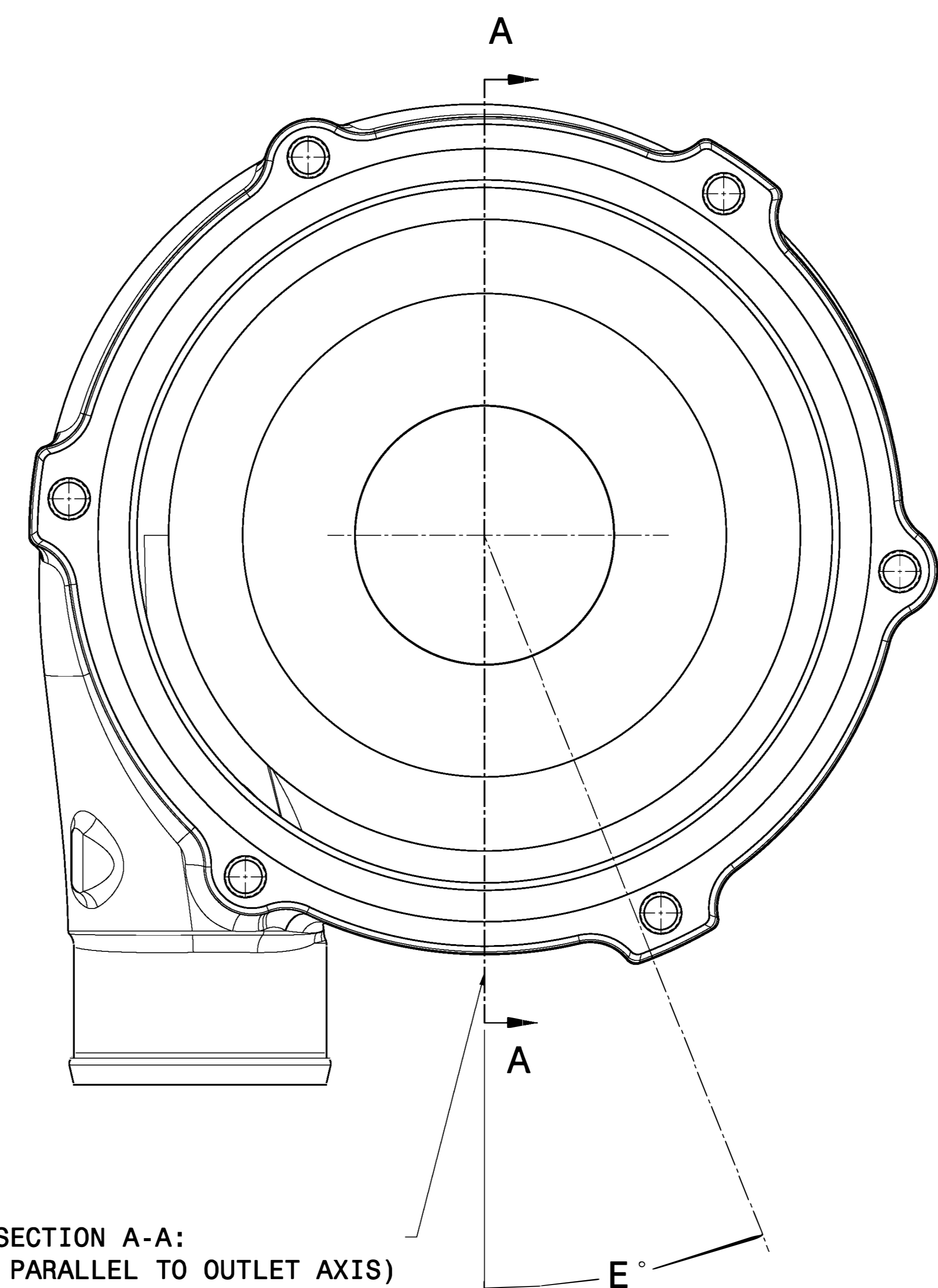


TRUE VIEW OF MOUNTING FLANGE



SECTION A-A

ANGLE OF SECTION A-A:  
(0 DEG IS PARALLEL TO OUTLET AXIS)



POSITIVE COUNTER CLOCKWISE

FOR AFTERMARKET  
USE ONLY

PART DEFINITION  
CONTROLLED BY  
SOLID MODEL

782781-0001	781382-0001	IAM
NEXT LEVEL	TOP ASSY	MODEL
AERO ENGR	MFG ENGR	
APPL ENGR	PROD ENGR	
MATL ENGR	QUAL ENGR	
MECH ENGR	SGA ENGR	
PROCESS		
MATERIAL		
BY	MM/DD/YY	LAST INSPECTION
2D DESN	ESP	06/25/07
3D DESN		
CHECKER	DMF	06/25/07

GEOMETRIC TOLERANCING PER ASME Y14.5M-1994  
 THIS DOCUMENT CONTAINS PROPRIETARY INFORMATION AND SUCH INFORMATION MAY NOT BE DISCLOSED TO OTHERS FOR ANY PURPOSE OR USED FOR MANUFACTURING WITHOUT WRITTEN PERMISSION FROM THE HONEYWELL CORPORATION.

Garrett  
ADVANCING MOTION

TITLE  
LAYOUT SPEED SENSOR

SIZE	DRAWING NUMBER	REV.
E	776243	A

SCALE 1:1 & NOTED DO NOT SCALE SHEET 1 OF 2  
 CATIA V5 1 REV: 07/14/05

- TOLERANCES:  
2 PLACE DECIMALS .....  $\pm$ 0.25  
ANGLES .....  $\pm$ 0.5°
- DIMENSIONS ARE IN MILLIMETERS.  
UNLESS OTHERWISE SPECIFIED

