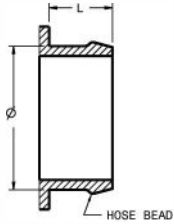


Honeywell Garrett® GT4718

Compressor Inlet

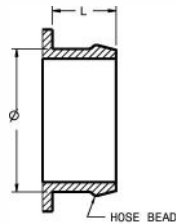
HOSE CONNECTIONS
TABULATED AS (ϕ x L)



ϕ 152.4 x 32

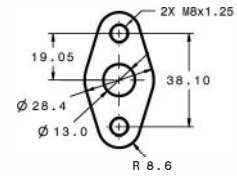
Compressor Outlet

HOSE CONNECTIONS
TABULATED AS (ϕ x L)



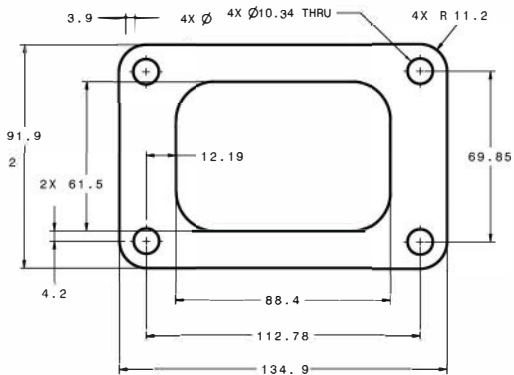
ϕ 88.9 x 32

Oil Inlet

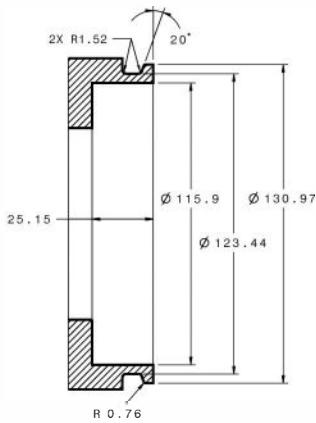


Turbine Inlet

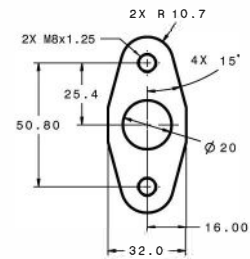
"SMALL FRAME DIESEL"



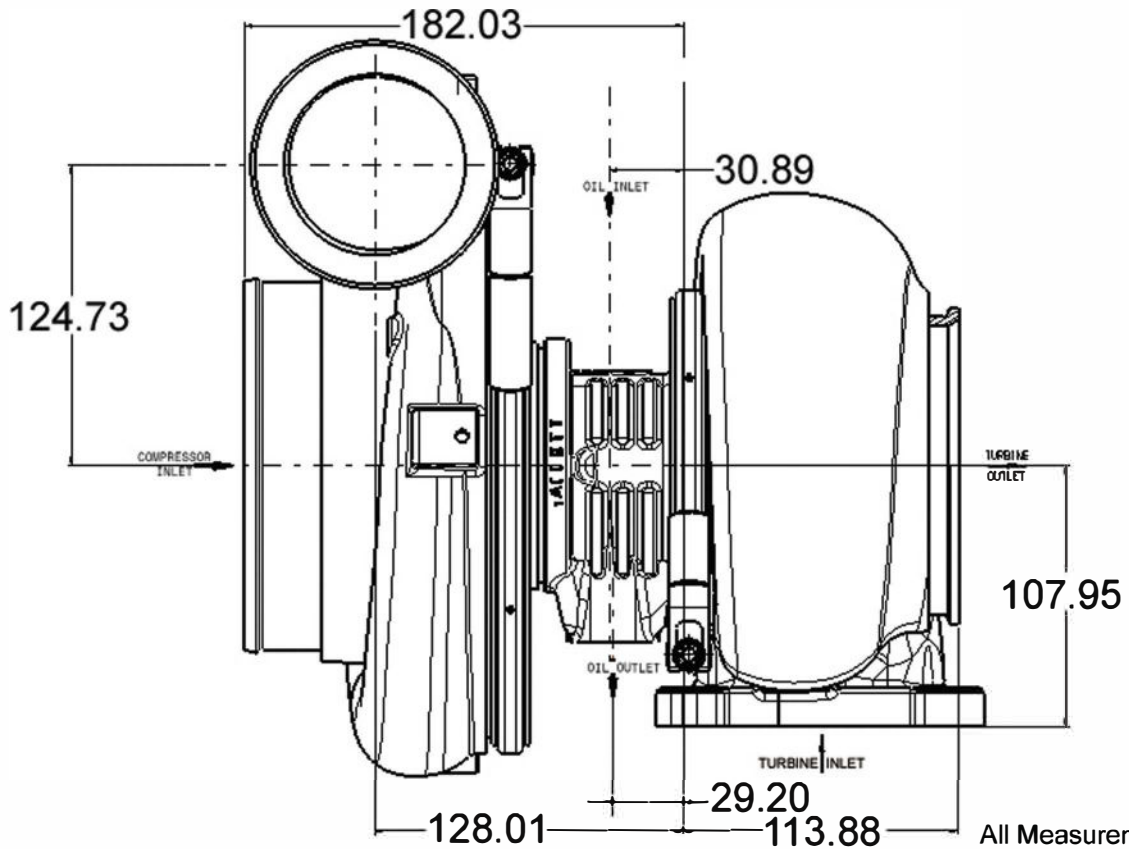
Turbine Outlet



Oil Outlet



Water
Not Applicable



All Measurements in MM