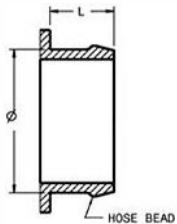


# Honeywell Garrett® GT4718

## Compressor Inlet

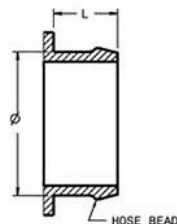
HOSE CONNECTIONS  
TABULATED AS (Ø x L)



Ø 152.4 x 32

## Compressor Outlet

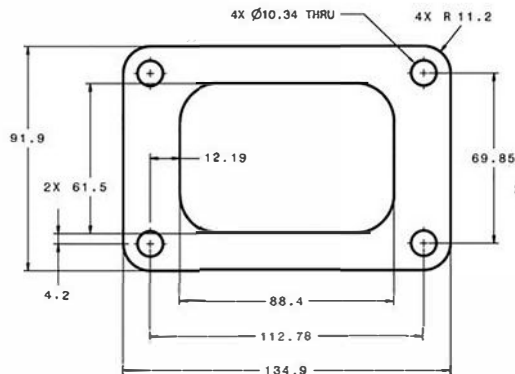
HOSE CONNECTIONS  
TABULATED AS (Ø x L)



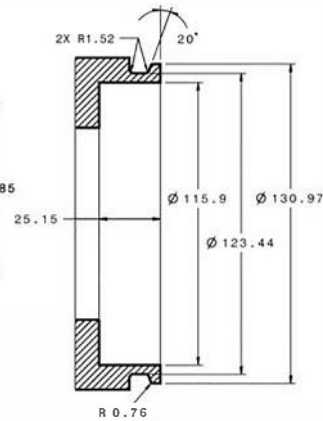
Ø 88.9 x 32

## Turbine Inlet

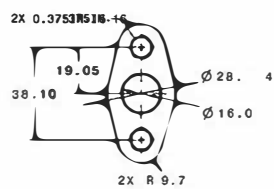
"SMALL FRAME DIESEL"



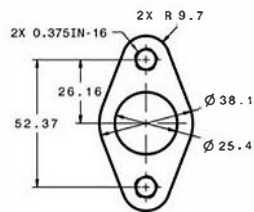
## Turbine Outlet



## Oil Inlet



## Oil Outlet



## Water

Not Applicable

All Measurements in MM