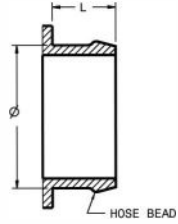


# Honeywell Garrett GT4708

## Compressor Inlet

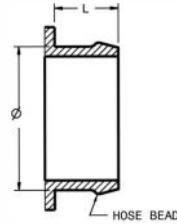
HOSE CONNECTIONS  
TABULATED AS (Ø x L)



Ø 152.4 x 32

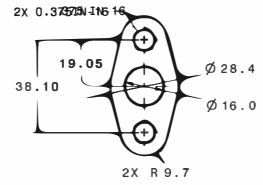
## Compressor Outlet

HOSE CONNECTIONS  
TABULATED AS (Ø x L)



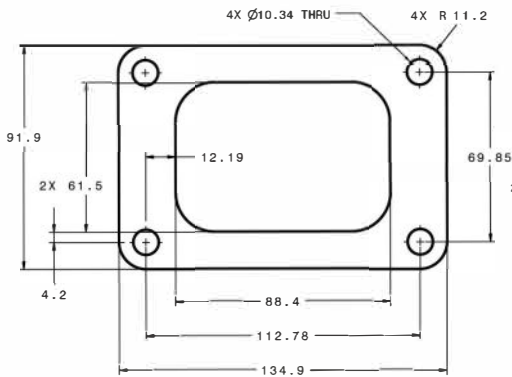
Ø 88.9 x 32

## Oil Inlet

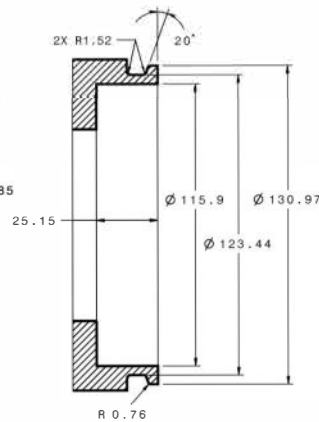


## Turbine Inlet

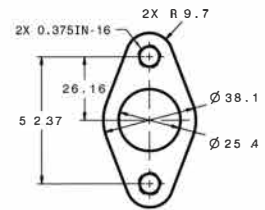
"SMALL FRAME DIESEL"



## Turbine Outlet

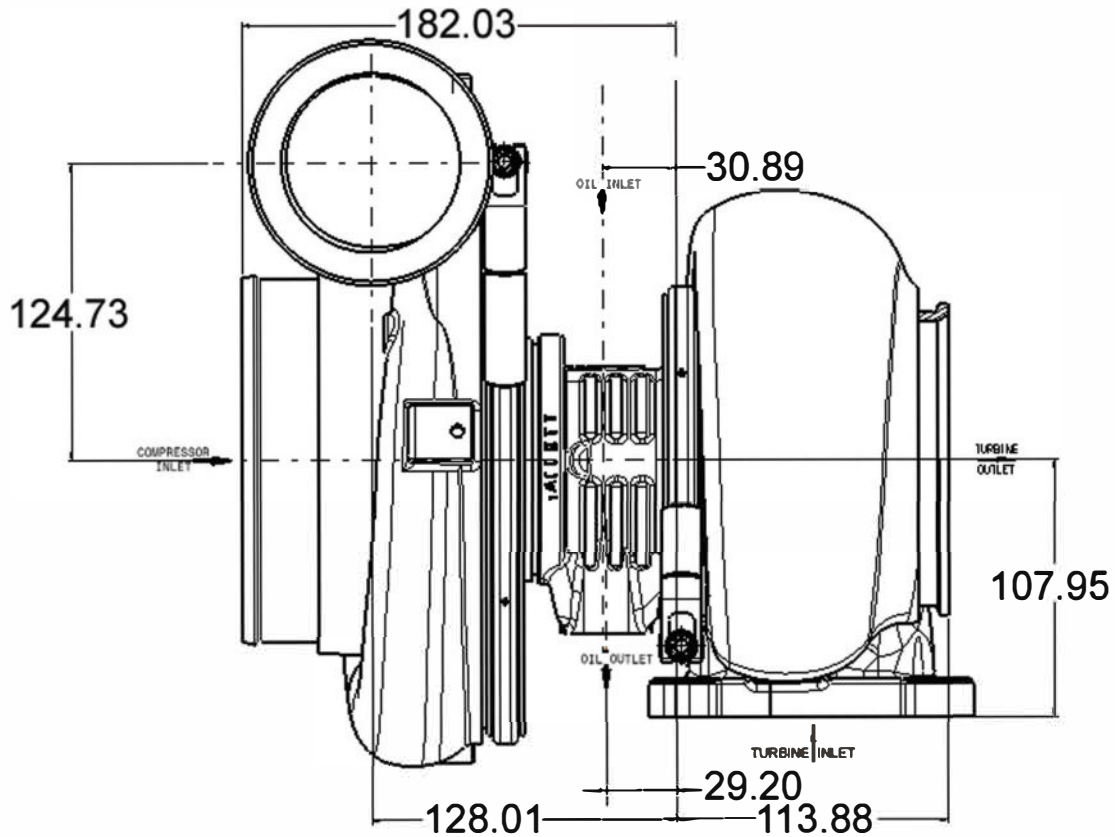


## Oil Outlet



Water

Not Applicable



All Measurements in MM