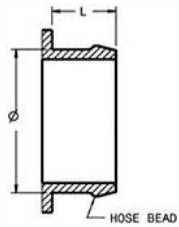


Honeywell Garrett® GT4708

Compressor Inlet

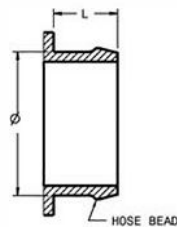
HOSE CONNECTIONS
TABULATED AS (Ø x L)



Ø 152.4 x 32

Compressor Outlet

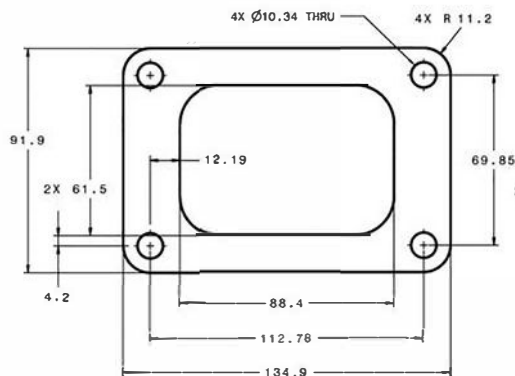
HOSE CONNECTIONS
TABULATED AS (Ø x L)



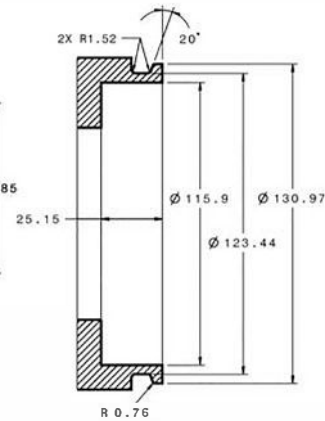
Ø 88.9 x 32

Turbine Inlet

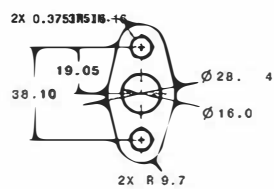
"SMALL FRAME DIESEL"



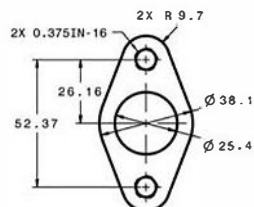
Turbine Outlet



Oil Inlet



Oil Outlet



Water

Not Applicable

All Measurements in MM