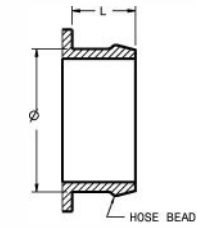


Honeywell Garrett® GT4508R

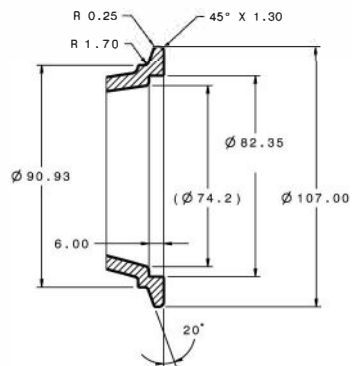
Compressor Inlet

HOSE CONNECTIONS
TABULATED AS (Ø x L)

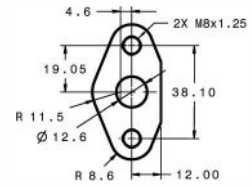


Ø 152.4 x 32

Compressor Outlet

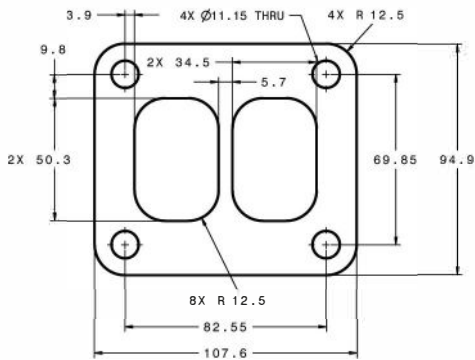


Oil Inlet

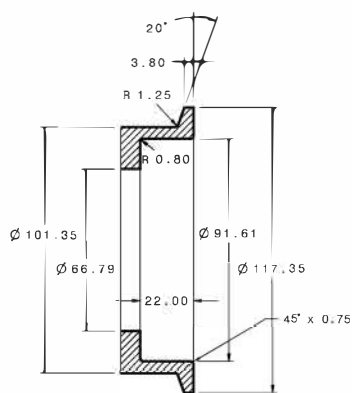


Turbine Inlet

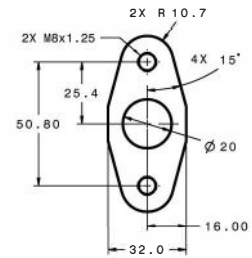
"T4 DIVIDED"



Turbine Outlet

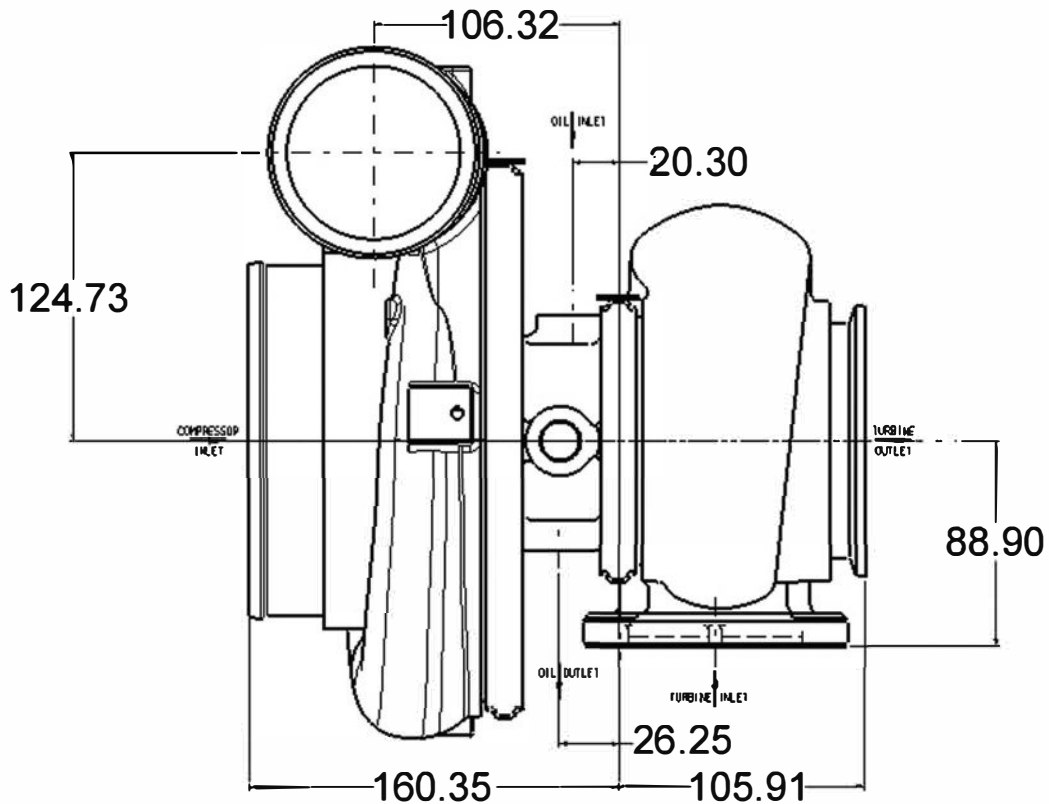


Oil Outlet



Water

M18 x 1.50



All Measurements in MM