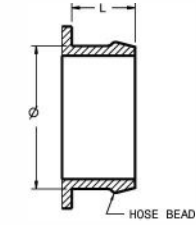


Honeywell Garrett® GT4294R

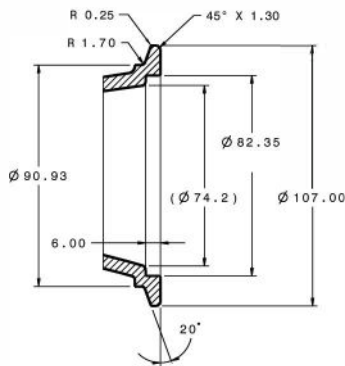
Compressor Inlet

HOSE CONNECTIONS
TABULATED AS (Ø x L)

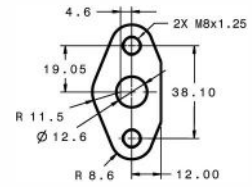


Ø 127 x 32

Compressor Outlet

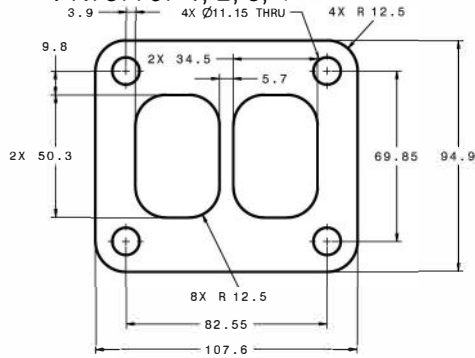


Oil Inlet

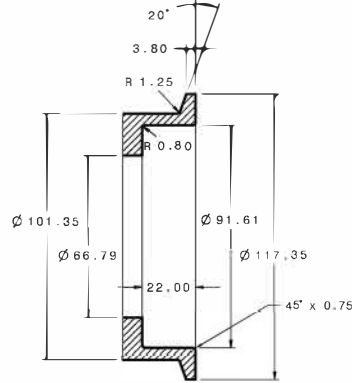


Turbine Inlet

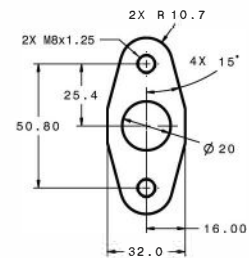
"T4 DIVIDED"
PN757707-1, 2, 3, 4



Turbine Outlet

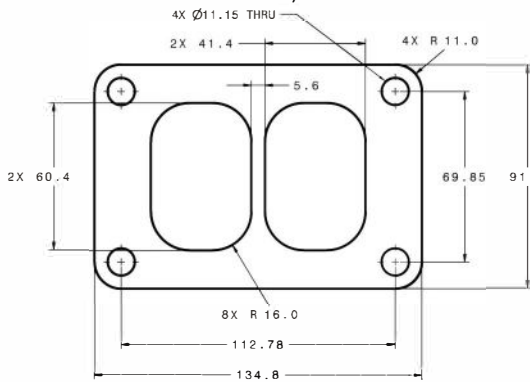


Oil Outlet



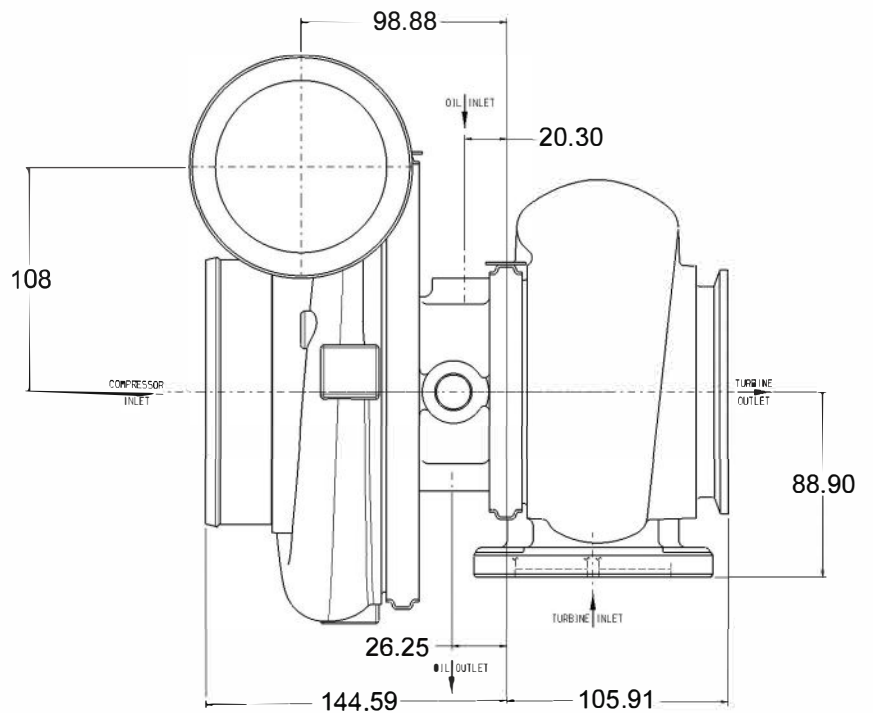
"LARGE FRAME DIESEL DIVIDED"

PN757707-9, 10



Water

M18 x 1.50



All Measurements in MM