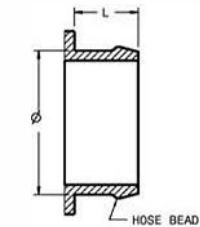


Honeywell Garrett GT4202

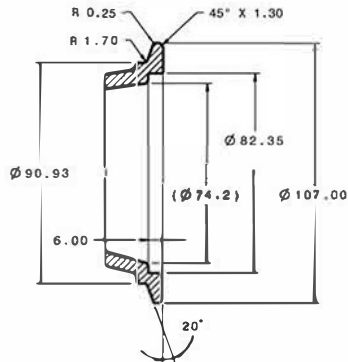
Compressor Inlet

HOSE CONNECTIONS
TABULATED AS (\varnothing x L)

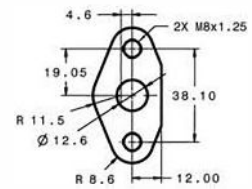


\varnothing 127 x 32

Compressor Outlet



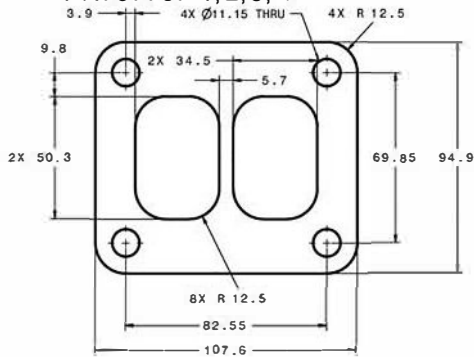
Oil Inlet



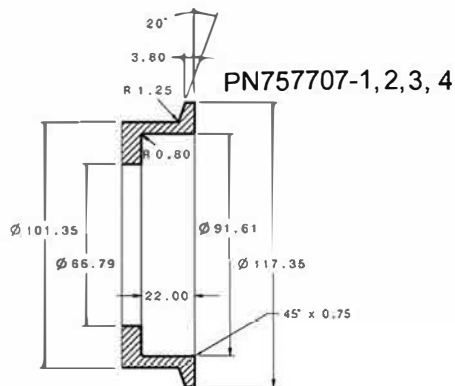
Turbine Inlet

"T4 DIVIDED"

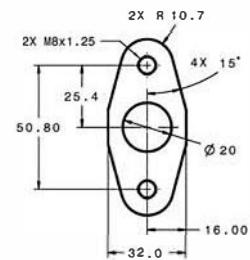
PN757707-1, 2, 3, 4



Turbine Outlet

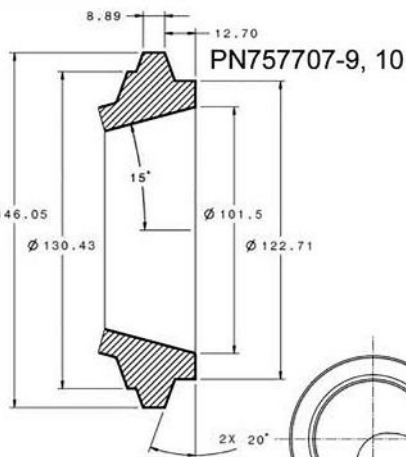
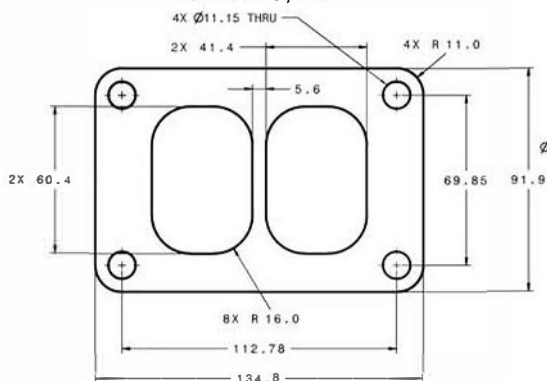


Oil Outlet



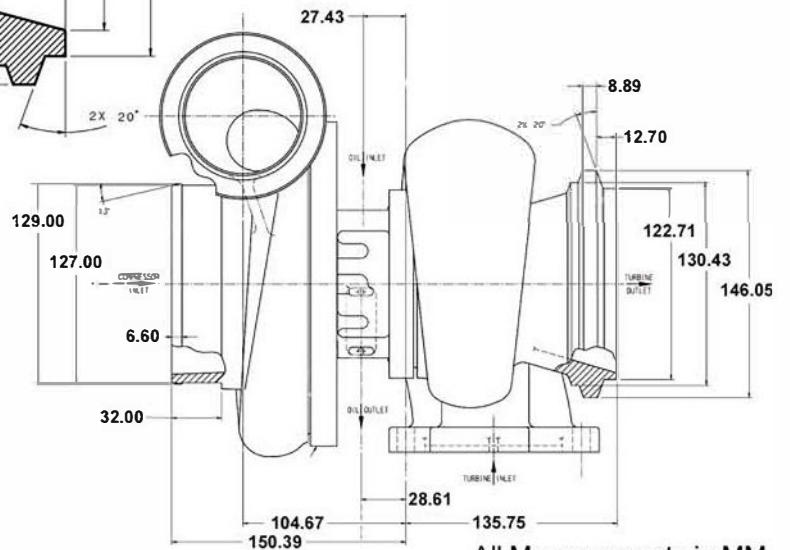
"LARGE FRAME DIESEL DIVIDED"

PN757707-9, 10



Water

Not Applicable



All Measurements in MM