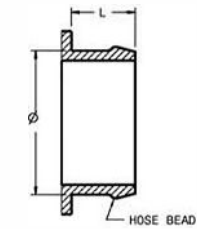


# Honeywell Garrett® GT4202R

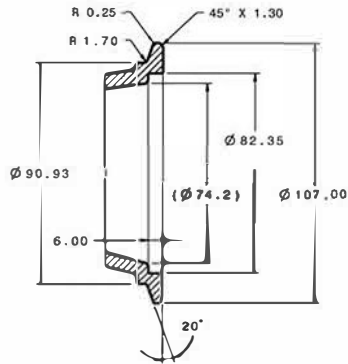
## Compressor Inlet

HOSE CONNECTIONS  
TABULATED AS (Ø x L)

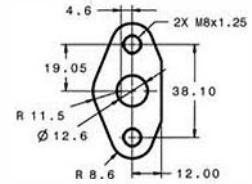


Ø 127 x 32

## Compressor Outlet



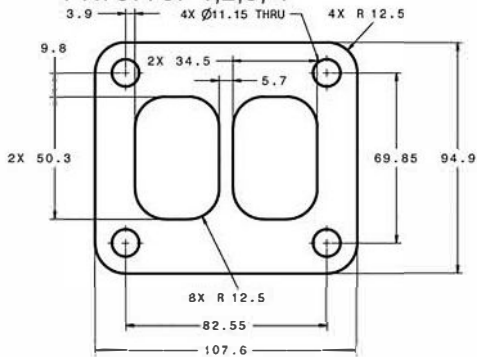
## Oil Inlet



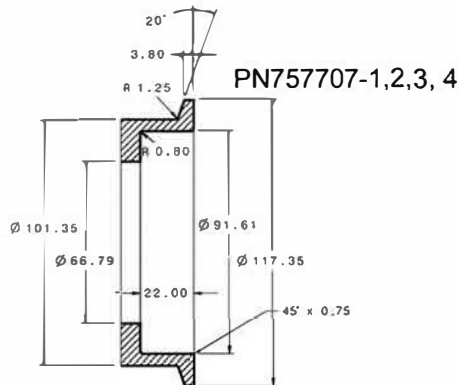
## Turbine Inlet

"T4 DIVIDED"

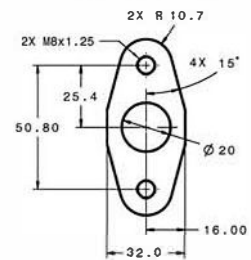
PN757707-1,2,3, 4



## Turbine Outlet

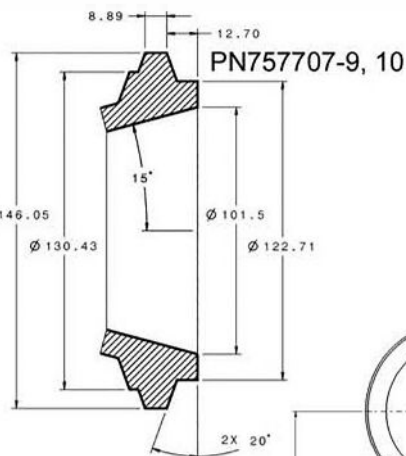
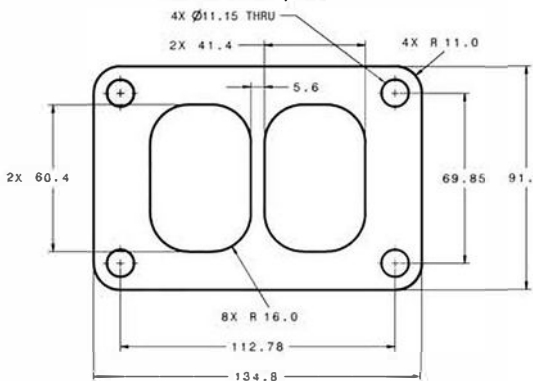


## Oil Outlet



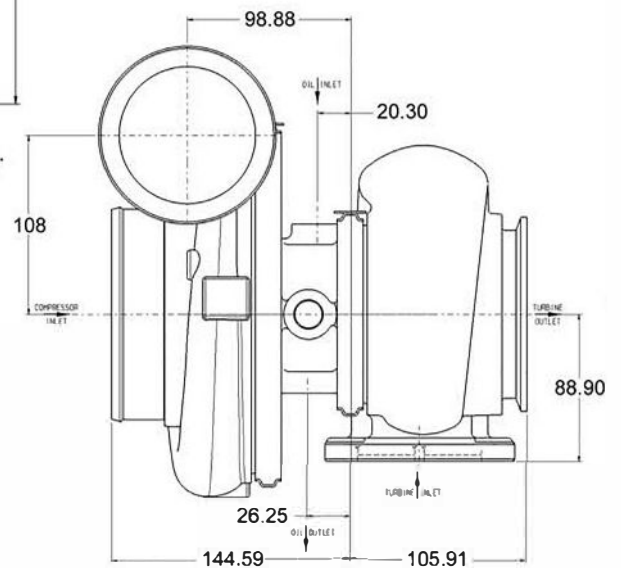
"LARGE FRAME DIESEL DIVIDED"

PN757707-9, 10



Water

M18 x 1.50



All Measurements in MM