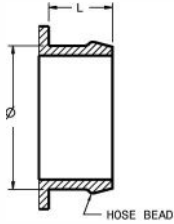


# Honeywell Garrett® GT3582R

## Compressor Inlet

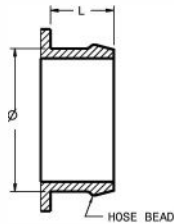
HOSE CONNECTIONS  
TABULATED AS (Ø x L)



Ø 101.6 x 31.75

## Compressor Outlet

HOSE CONNECTIONS  
TABULATED AS (Ø x L)



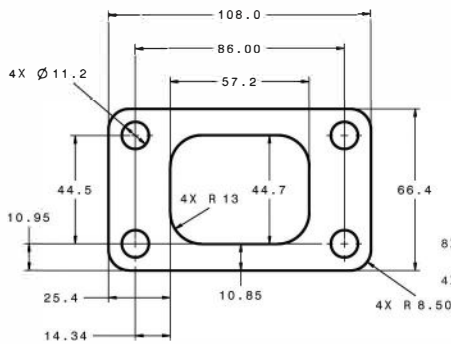
Ø 63.5 x 30

## Oil Inlet

0.4375IN-24  
THREAD FOR Ø6.35 TUBE  
INVERTED FLARE CONNECTION  
PER SAE J512 (OIL INLET)

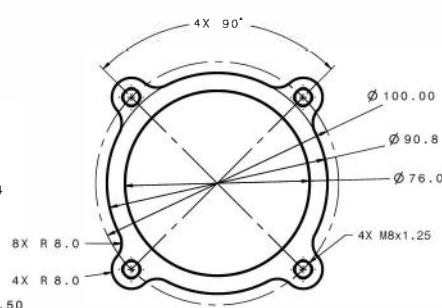
## Turbine Inlet

"T3" PN740902-4, 5, 6, 10, 11, 12

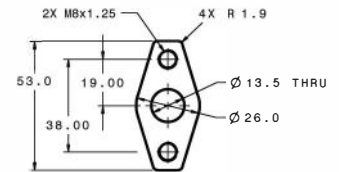


## Turbine Outlet

"3-INCH 4 BOLT" PN740902-4, 5, 6



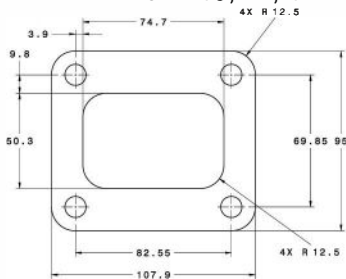
## Oil Outlet



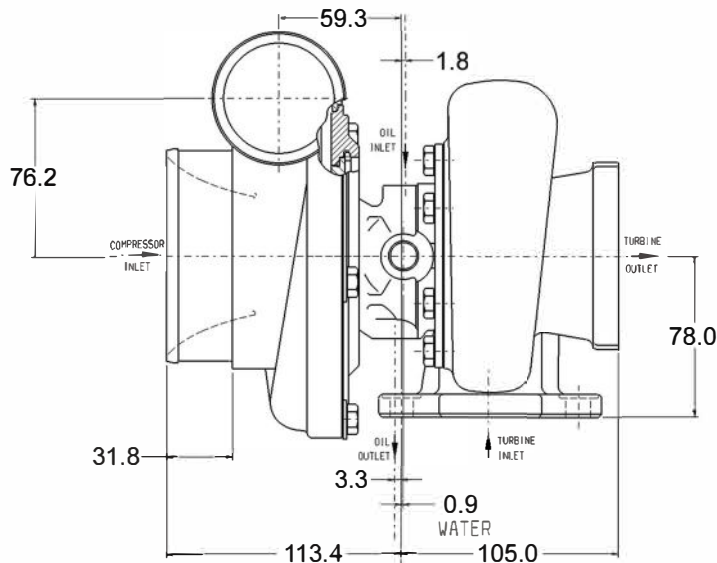
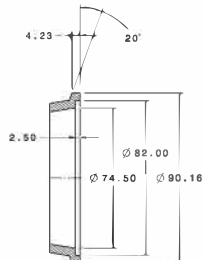
## Water

M14 x 1.50

"T4 UNDIVIDED" PN740902-16, 17, 18



PN740902-10, 11, 12, 13, 14, 15, 16



All Measurements in MM