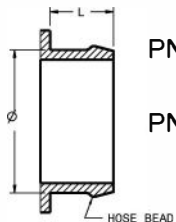


# Honeywell Garrett GT3071R

## Compressor Inlet

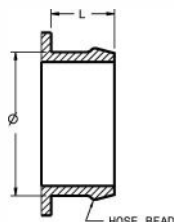
HOSE CONNECTIONS  
TABULATED AS ( $\phi$  x L)



PN756021-1  
 $\phi$  69.85 x 31.75  
PN756021-2  
 $\phi$  102 x 31.75

## Compressor Outlet

HOSE CONNECTIONS  
TABULATED AS ( $\phi$  x L)



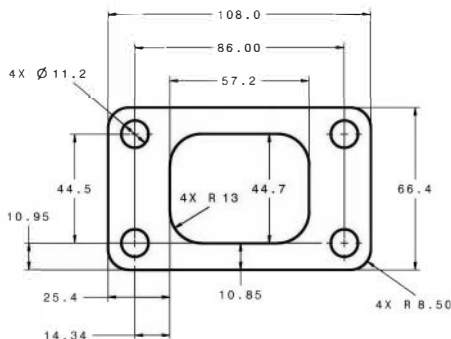
$\phi$  50.8 x 30

## Oil Inlet

0.4375IN-24  
THREAD FOR  $\phi$ 6.35 TUBE  
INVERTED FLARE CONNECTION  
PER SAE J512 (OIL INLET)

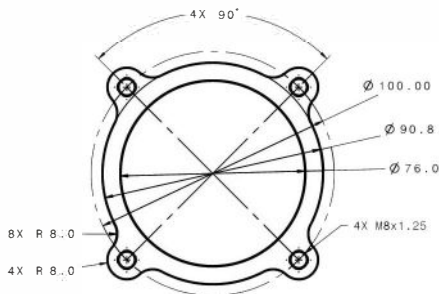
## Turbine Inlet

"T3" PN74902-1, 2, 3, 7, 8, 9

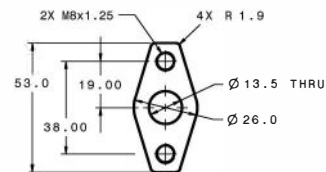


## Turbine Outlet

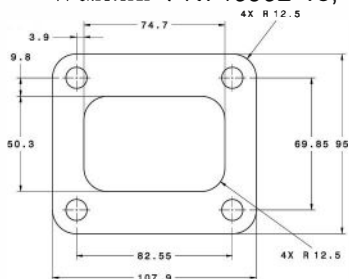
"3-INCH 4 BOLT" PN740902-1, 2, 3



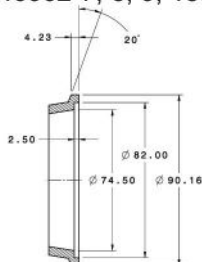
## Oil Outlet



"T4 UNDIVIDED" PN740902-13, 14, 15

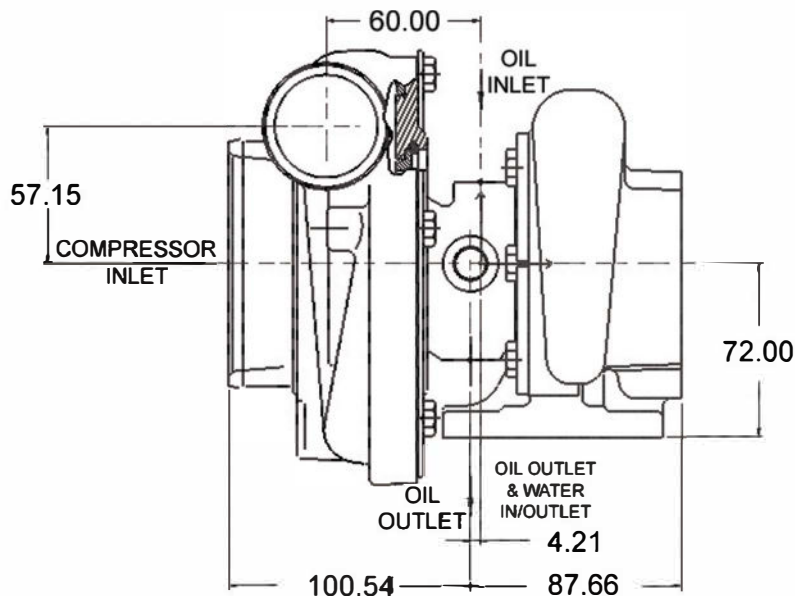


PN740902-7, 8, 9, 13, 14, 15



## Water

M14 x 1.50



All Measurements in MM