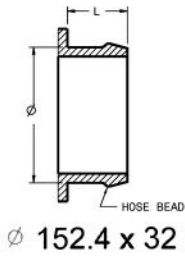
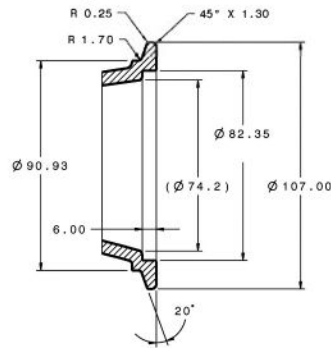


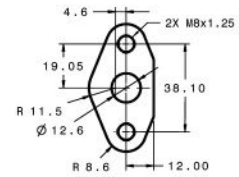
**Compressor Inlet**  
HOSE CONNECTIONS  
TABULATED AS (Ø x L)



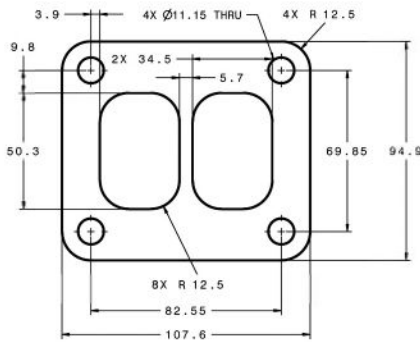
**Compressor Outlet**



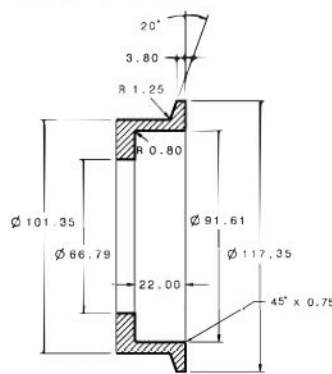
**Oil Inlet**



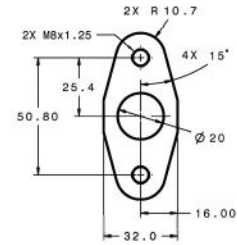
**Turbine Inlet**  
"T4 DIVIDED"



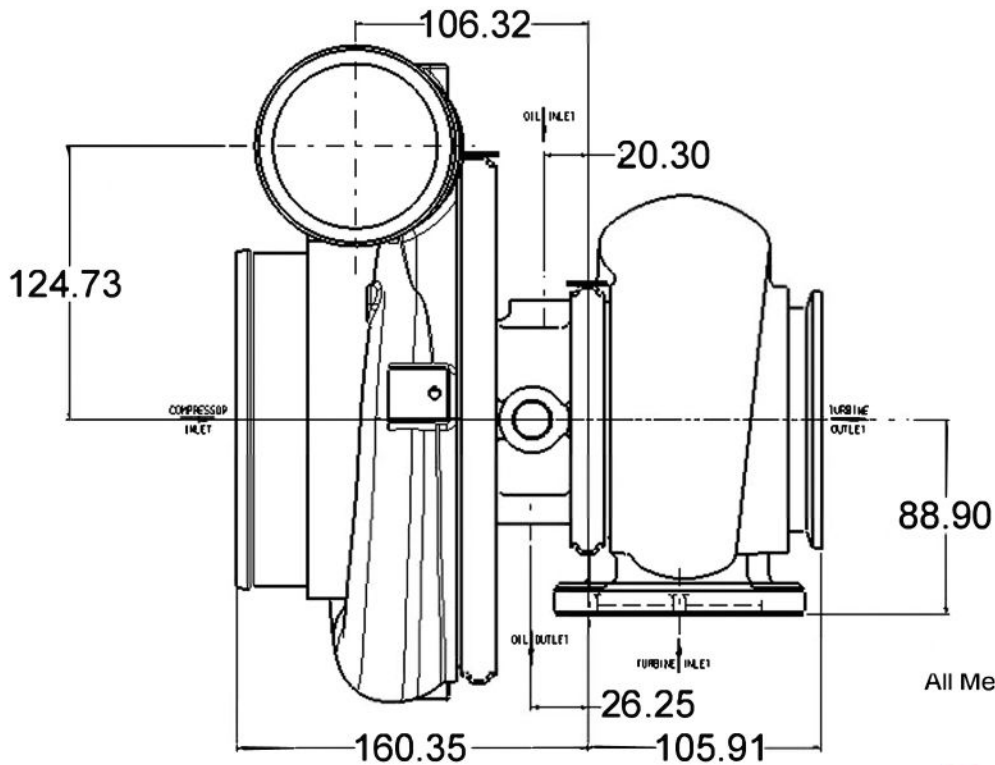
**Turbine Outlet**



**Oil Outlet**



**Water**  
M18 x 1.50



All Measurements in MM