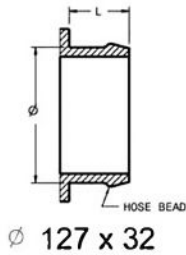
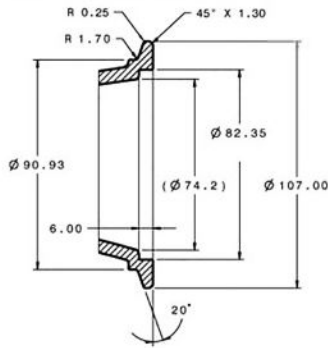


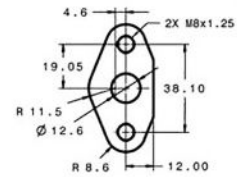
Compressor Inlet
HOSE CONNECTIONS
TABULATED AS (Ø x L)



Compressor Outlet

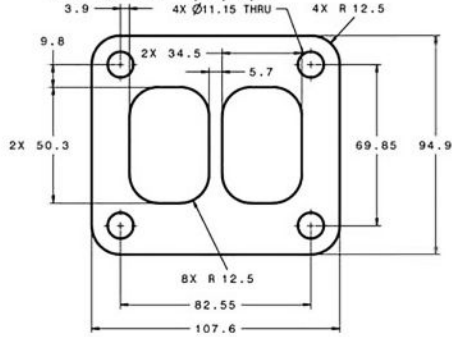


Oil Inlet

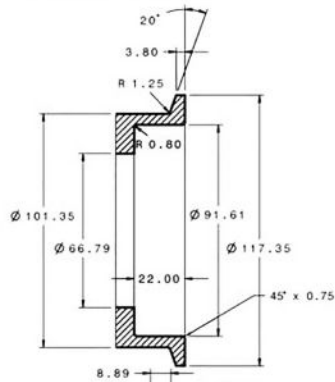


Turbine Inlet

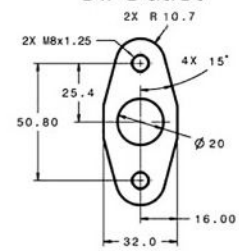
"T4 DIVIDED"
PN757707-1, 2, 3, 4



Turbine Outlet PN757707-1, 2, 3, 4

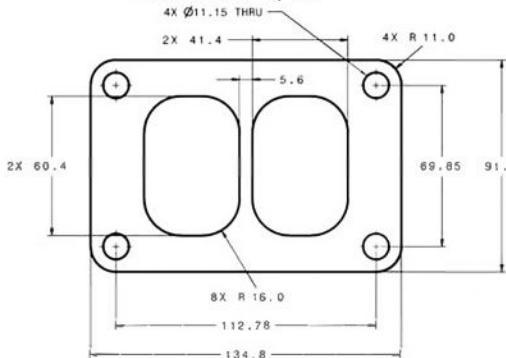


Oil Outlet

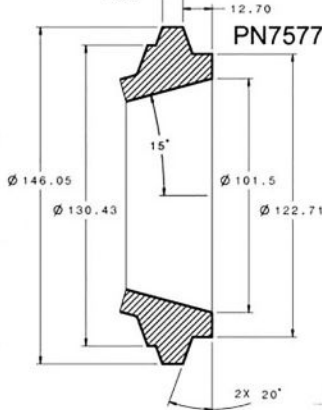


"LARGE FRAME DIESEL DIVIDED"

PN757707-9, 10



PN757707-9, 10



Water
Not Applicable

All Measurements in MM

