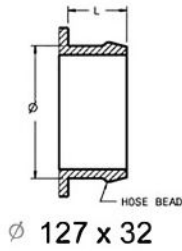
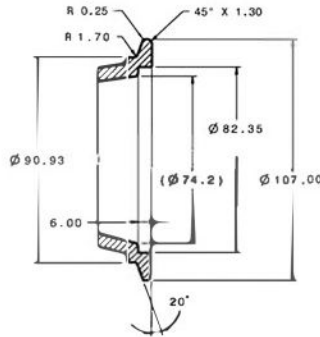


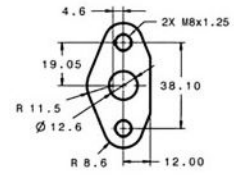
Compressor Inlet
HOSE CONNECTIONS
TABULATED AS (Ø x L)



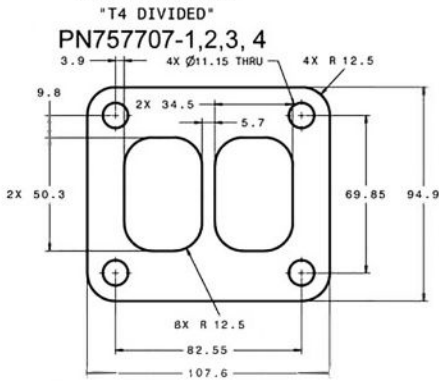
Compressor Outlet



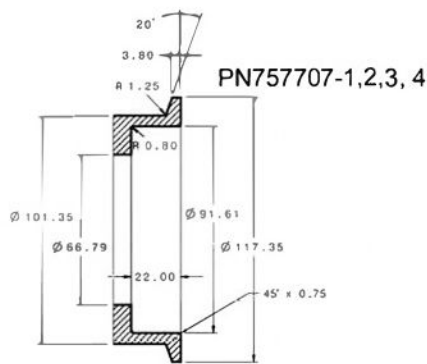
Oil Inlet



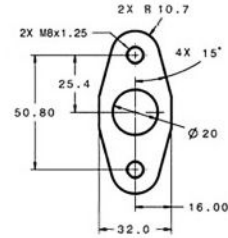
Turbine Inlet



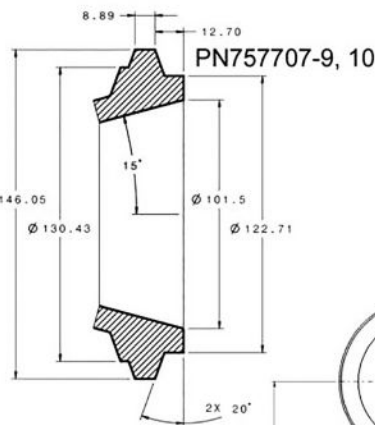
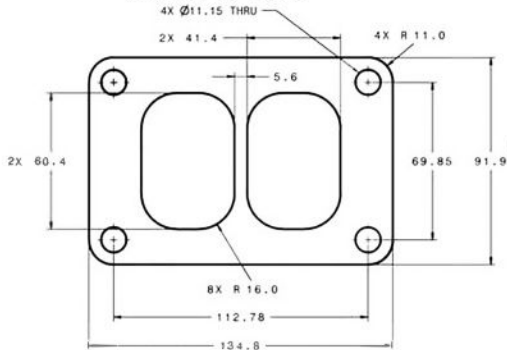
Turbine Outlet



Oil Outlet



"LARGE FRAME DIESEL DIVIDED"
PN757707-9, 10



Water

M18 x 1.50

All Measurements in MM

