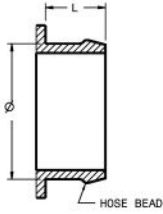


**Compressor Inlet**

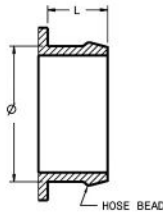
HOSE CONNECTIONS  
TABULATED AS (Ø x L)



Ø 101.6 x 25.0

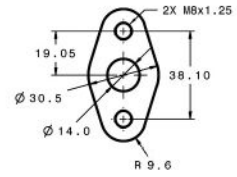
**Compressor Outlet**

HOSE CONNECTIONS  
TABULATED AS (Ø x L)



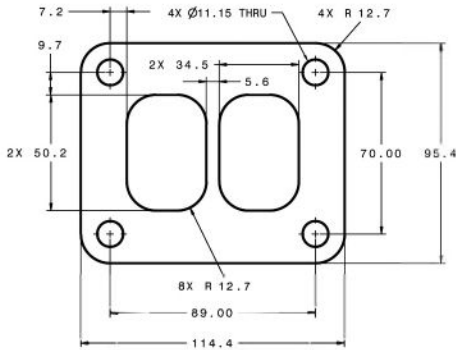
Ø 65 x 32

**Oil Inlet**

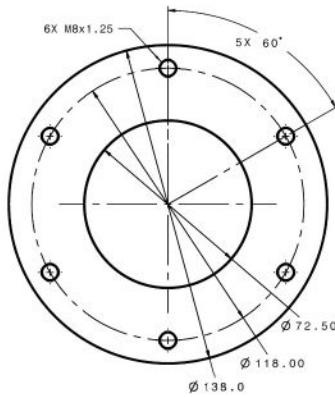


**Turbine Inlet**

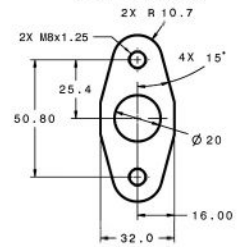
"T4I"



**Turbine Outlet**

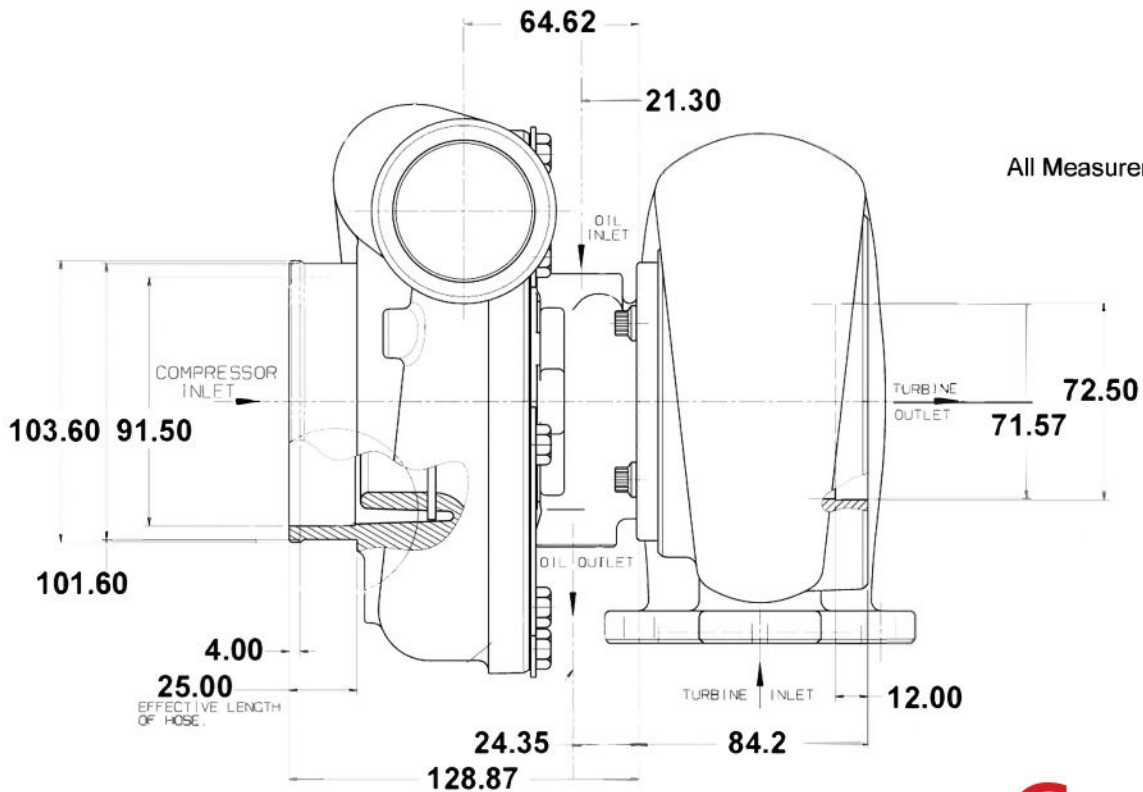


**Oil Outlet**



**Water**

**Not Applicable**



All Measurements in MM