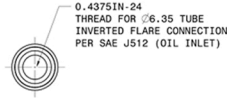
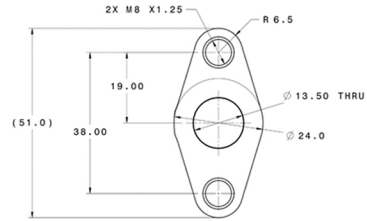


OIL INLET

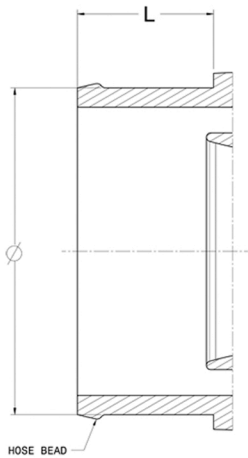


OIL OUTLET



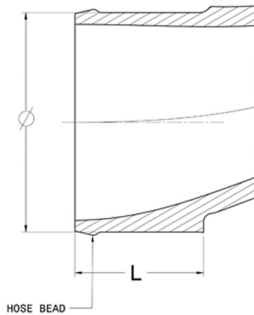
COMPRESSOR INLET

HOSE CONNECTIONS
76.2 X 31.75



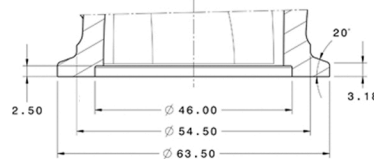
COMPRESSOR OUTLET

HOSE CONNECTIONS
51.15 X 30



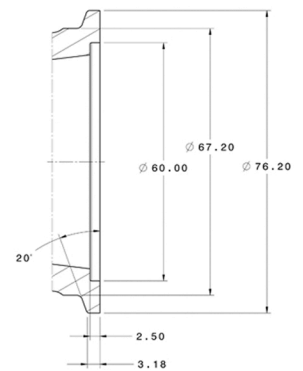
TURBINE INLET

V-BAND CONNECTIONS

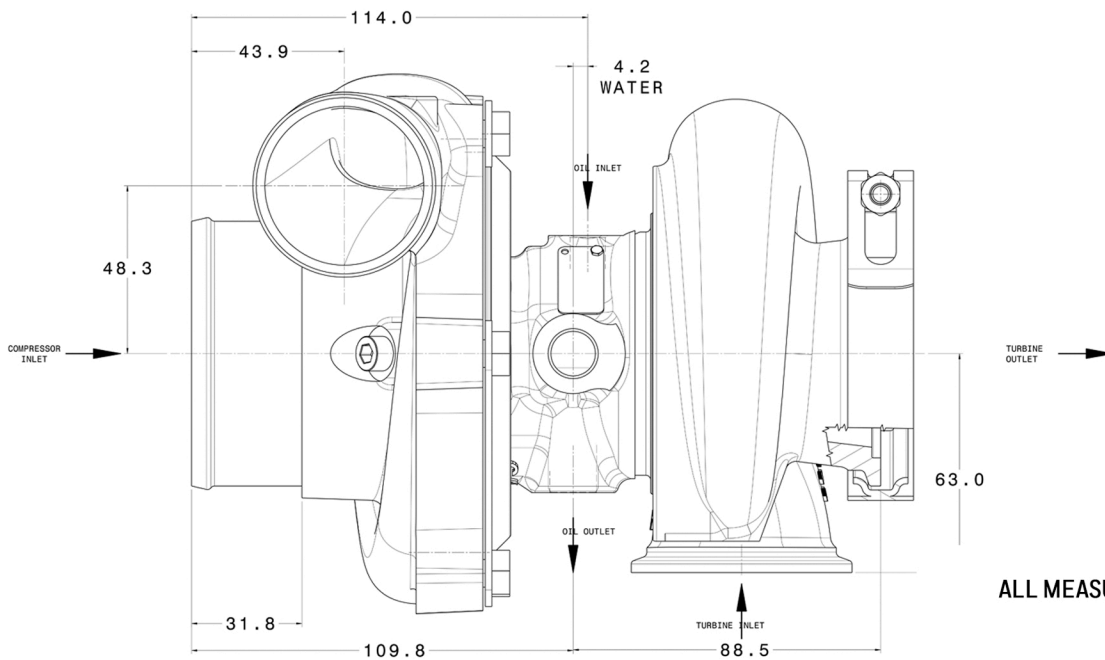


TURBINE OUTLET

V-BAND CONNECTIONS



WATER
M14 X 1.50



ALL MEASUREMENTS IN MM