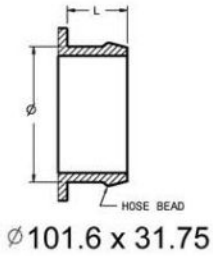


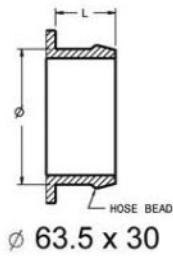
33 Compressor Inlet

HOSE CONNECTIONS
TABULATED AS (Ø x L)

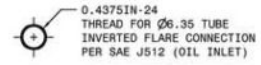


24 Compressor Outlet

HOSE CONNECTIONS
TABULATED AS (Ø x L)

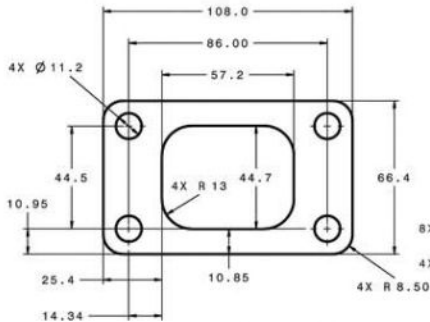


11 Oil Inlet



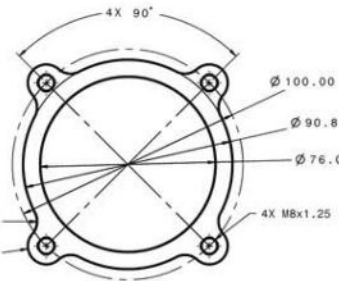
04 Turbine Inlet

"T3" PN740902-4, 5, 6, 10, 11, 12

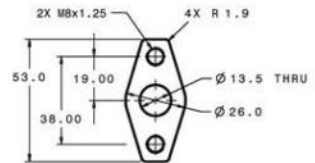


07 Turbine Outlet

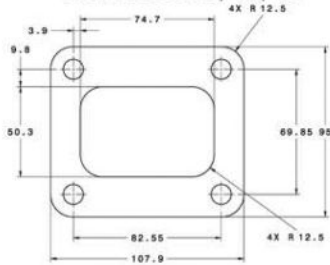
"3-INCH 4 BOLT" PN740902-4, 5, 6



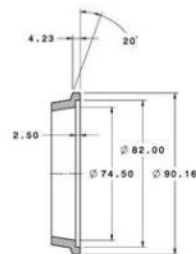
18 Oil Outlet



"T4 UNDIVIDED" PN740902-16, 17, 18

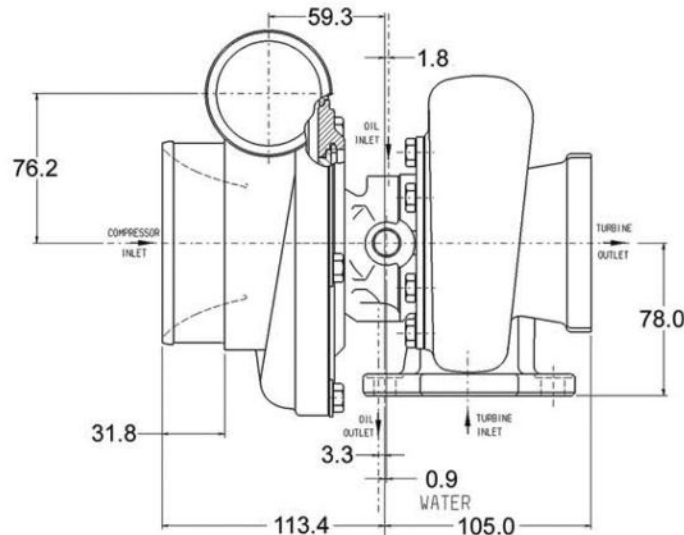


PN740902-10, 11, 12, 13, 14, 15, 16



13 Water

M14 x 1.50



All Measurements in MM